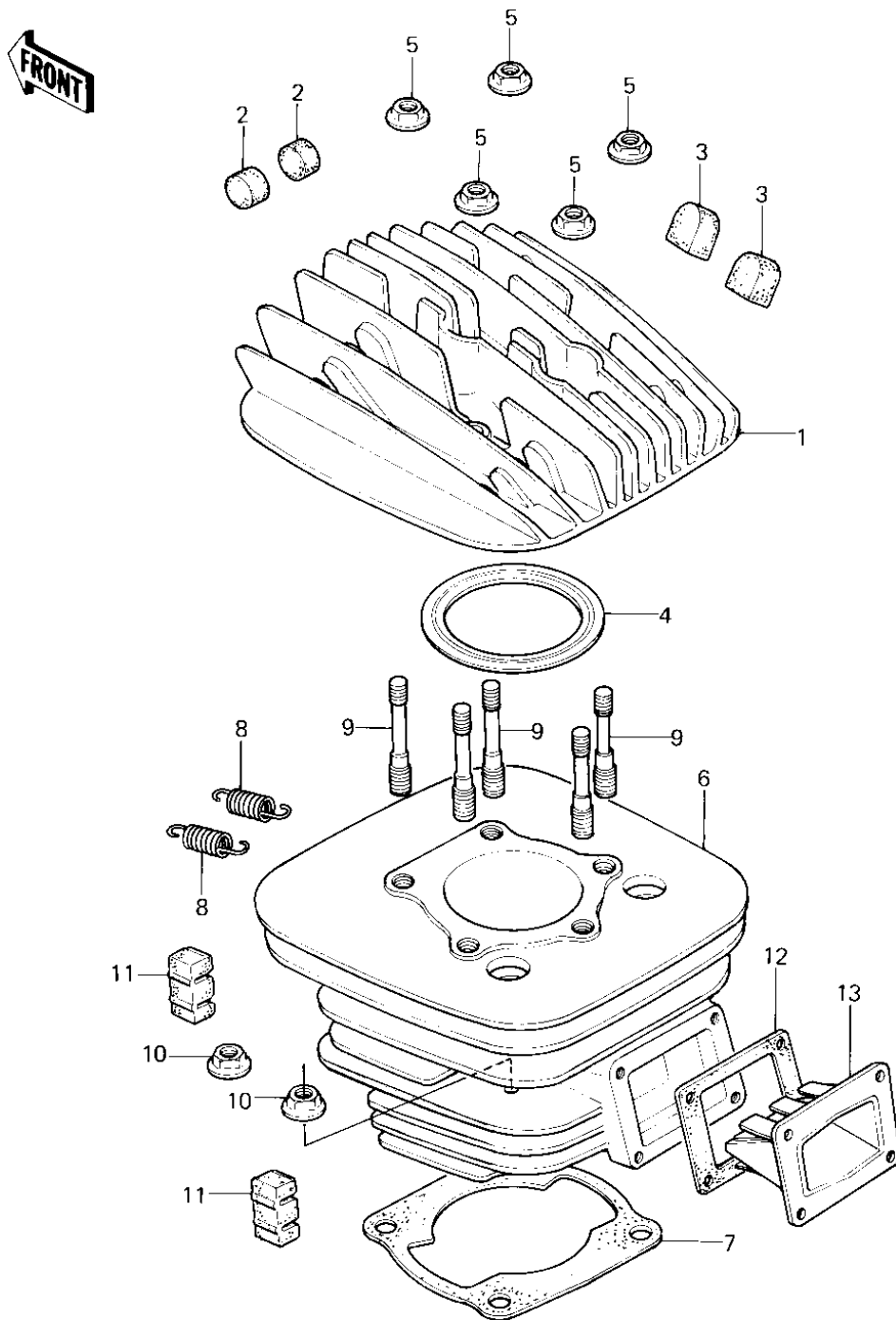


## 1980 KDX175 PARTS DIAGRAM

CYLINDER HEAD/CYLINDER/REED VALVE ('80 A)



## 1980 KDX175 PARTS LIST

CYLINDER HEAD/CYLINDER/REED VALVE ('80 A)

ITEM NAME	PART NUMBER	QUANTITY
HEAD-CYLINDER (Ref # 1)	11001-1052	1
DAMPER RUBBER,CYLIND (Ref # 2)	92075-1018	1
DAMPER RUBBER (Ref # 3)	92075-1176	1
GASKET-HEAD,CYLINDER (Ref # 4)	11004-1052	1
NUT,8M/M (Ref # 5)	92015-1014	2
CYLINDER,ELECTRO-FUS (Ref # 6)	11005-1060	1
GASKET,CYLINDER BASE (Ref # 7)	11009-1175	1
SPRING-CONNECTOR (Ref # 8)	18071-003	1
STUD,CYLINDER (Ref # 9)	92004-1026	1
DAMPER,CYLINDER (Ref # 11)	92075-1229	1
GASKET,REED VALVE (Ref # 12)	11009-1018	1
VALVE ASSY,REED (Ref # 13)	12021-1007	1