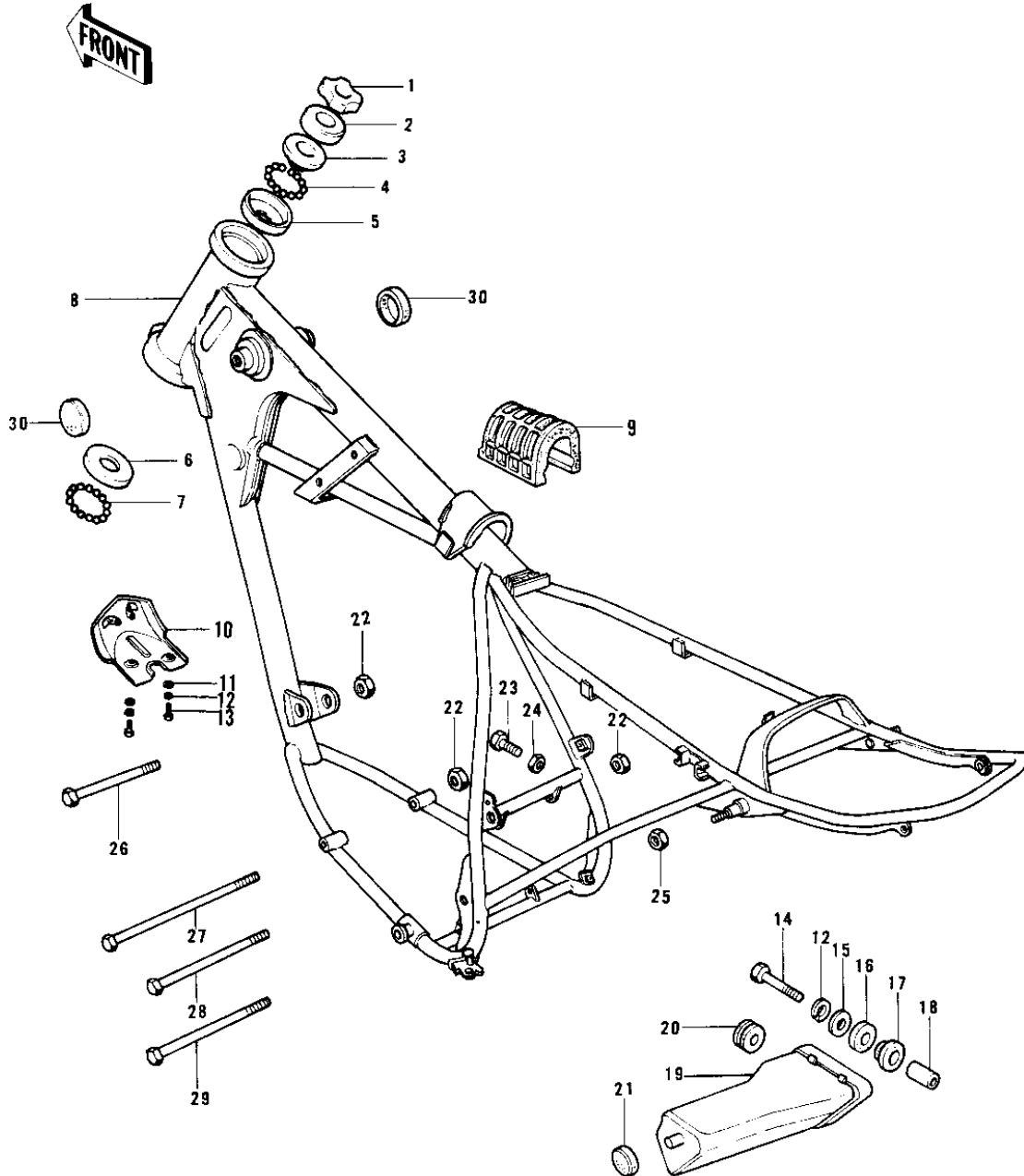


# 1979 KD175-A4 PARTS DIAGRAM

## FRAME/FRAME FITTINGS



# 1979 KD175-A4 PARTS LIST

## FRAME/FRAME FITTINGS

ITEM NAME	PART NUMBER	QUANTITY
NUT,STEERING STEM (Ref # 1)	92090-022	
CAP,STEERING STEM (Ref # 2)	46098-012	
CONE,STRG STM BRG,UP (Ref # 3)	92047-014	
BALL STEEL 3/16' (Ref # 4)	600A0600	
RACE,STRG STM BEARING (Ref # 5)	92048-009	
RACE STEERING BEARING (Ref # 6)	92048-005	
BALL STEEL 1/4' (Ref # 7)	600A0800	
FRAME (Ref # 8)	32002-145	
FRAME (Ref # 8)	32002-1081	
DAMPER RUBBER (Ref # 9)	92075-284	
GUARD,ENGINE (Ref # 10)	55011-023	
WASHER 6.5X20X1.6T (Ref # 11)	92022-125	
WASHER SPRING 6MM (Ref # 12)	461F0600	
BOLT-UPSET,6X16 (Ref # 13)	112G0616	
BOLT-UPSET (Ref # 14)	112G0625	
WASHER,PLAIN,7MM (Ref # 15)	92022-228	
WASHER 6.5X20X1.6T (Ref # 15)	92022-125	
DAMPER RUBBER (Ref # 16)	92075-175	
RUBBER,FENDER COVER (Ref # 17)	92075-174	
COLLAR (Ref # 18)	92027-241	
CASE,TOOL (Ref # 19)	32098-022	
DAMPER RUBBER-OIL TNK (Ref # 20)	92075-150	
DAMPER RUBBER (Ref # 21)	92075-107	
NUT,LOCK,10MM (Ref # 22)	92019-021	
BOLT 6X22 (Ref # 23)	112B0622	
BOLT-HEX HEAD,6X32 (Ref # 23)	110N0632	
NUT 6MM (Ref # 24)	311B0600	
NUT-LOCK,12MM (Ref # 25)	92019-009	
BOLT,FLANGED,10X70 (Ref # 26)	92001-1618	

## 1979 KD175-A4 PARTS LIST

### FRAME/FRAME FITTINGS

ITEM NAME	PART NUMBER	QUANTITY
BOLT,FLANGED,10X70 (Ref # 26)	92001-1618	
BOLT FLANGED 10X220 (Ref # 27)	92002-1197	
BOLT,HEX HEAD,10X120 (Ref # 28)	92001-1247	
BOLT,HEX HEAD,10X120 (Ref # 28)	92001-1247	
BOLT,HEX HEAD,12X115 (Ref # 29)	113B12115	
DAMPER RUBBER-FL TANK (Ref # 30)	92075-101	