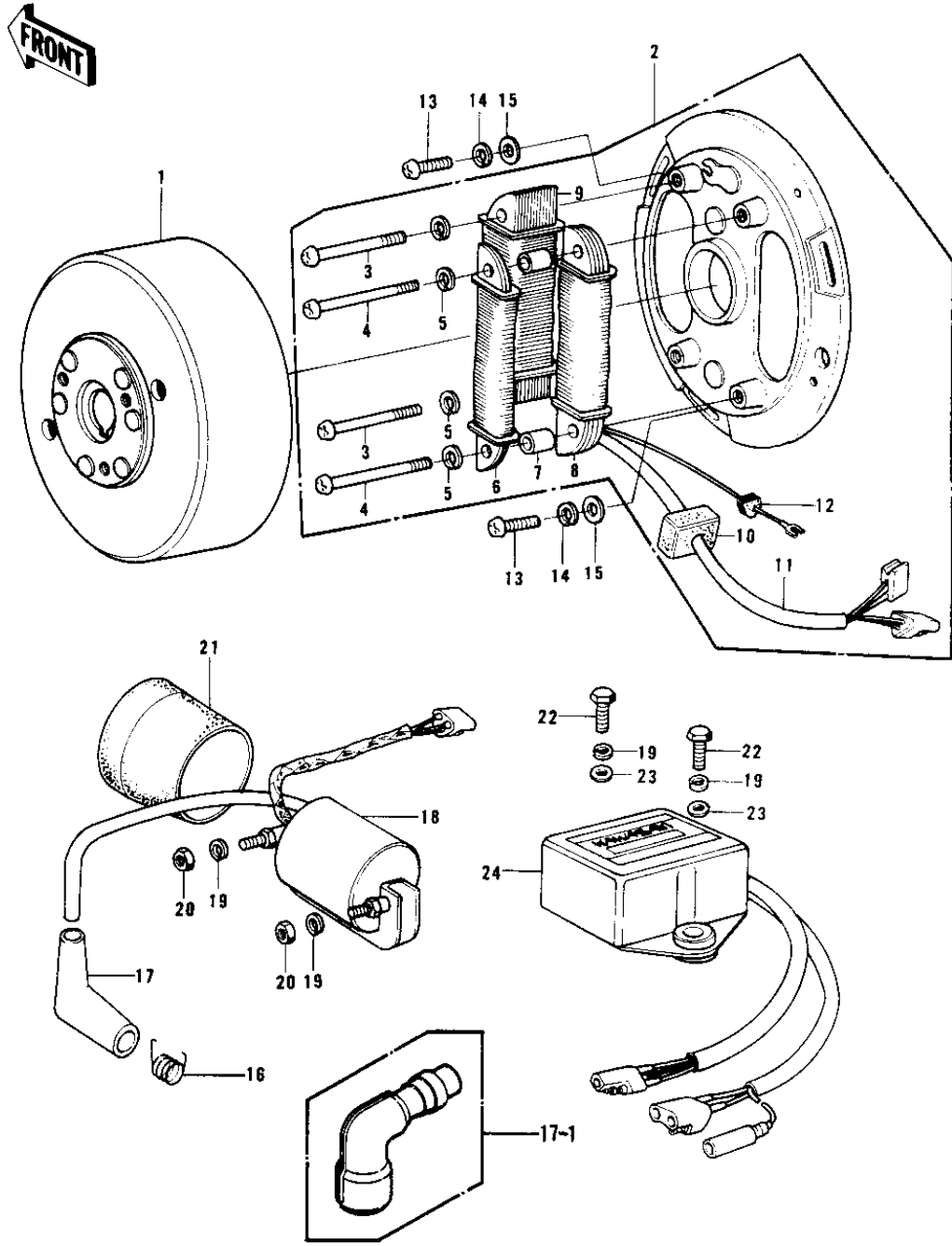


# 1977 KD175-A2 PARTS DIAGRAM

IGNITION/GENERATOR



# 1977 KD175-A2 PARTS LIST

## IGNITION/GENERATOR

ITEM NAME	PART NUMBER	QUANTITY
FLYWHEEL (Ref # 1)	21050-023	
STATOR ASSY (Ref # 2)	21003-034	
SCREW PAN HEAD 4X30 (Ref # 3)	220E0430	
SCREW-PAN HEAD,4X35 (Ref # 4)	220E0435A	
WASHER SPRING 4MM (Ref # 5)	461F0400	
COIL,PULSER (Ref # 6)	21157-002	
COLLAR (Ref # 7)	21033-002	
COIL (Ref # 8)	21049-019	
COIL (Ref # 9)	21047-031	
GROMMET-WIRING HARN (Ref # 10)	92071-050	
WIRING HARNESS,MAG (Ref # 11)	21029-036	
GROMMET WIRING HARN C (Ref # 12)	21017-005	
SCREW PAN HEAD 5X20 (Ref # 13)	220B0520	
WASHER SPRING 5MM (Ref # 14)	461F0500	
WASHER PLAIN 5MM (Ref # 15)	411B0500	
SPRING-SPARK PLUG CAP (Ref # 16)	92101-001	
CAP SPARK PLUG (Ref # 17)	21130-009	
CAP,SPARK PLUG (Ref # 17-1)	21160-005	
COIL-IGNITION (Ref # 18)	21121-039	
WASHER SPRING 6MM (Ref # 19)	461F0600	
NUT 6MM (Ref # 20)	311B0600	
RUBBER CAP-COIL (Ref # 21)	92073-016	
SCREW PAN HEAD 6X20 (Ref # 22)	220B0620	
WASHER PLAIN (Ref # 23)	92022-024	
IGNITION UNIT (Ref # 24)	21119-028	
IGNITION UNIT (Ref # 24)	21119-028	