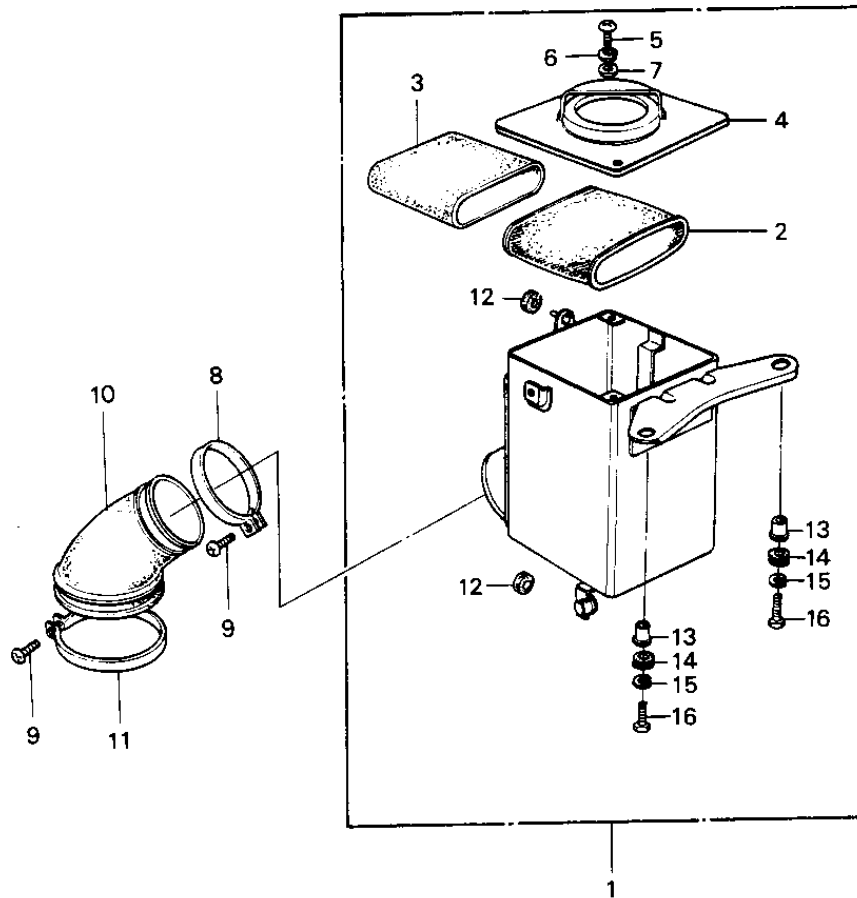


# 1977 KD175-A2

## PARTS DIAGRAM

### AIR CLEANER



# 1977 KD175-A2

## PARTS LIST

### AIR CLEANER

ITEM NAME	PART NUMBER	QUANTITY
AIR CLEANER ASSY,BLK (Ref # 1)	11010-083-21	
HOLDER,CLENER ELEMENT (Ref # 2)	11014-011	
ELEMENT,AIR CLNR (Ref # 3)	11013-1033	
ELEMENT,AIR CLNR (Ref # 3)	11013-1033	
CAP,AIR CLEANER,BLACK (Ref # 4)	11012-039-21	
SCREW PAN HEAD 6X12 (Ref # 5)	220B0612	
WASHER SPRING 6MM (Ref # 6)	461F0600	
WASHER PLAIN 6MM (Ref # 7)	411B0600	
CLAMP,AIR CLEANER (Ref # 8)	92037-129	
SCREW-PAN-CROS,6X35,B (Ref # 9)	220C0635	
CONNECTOR,AIR CLEANER (Ref # 10)	11026-014	
CLAMP,AIR CLEANER (Ref # 11)	92037-128	
DAMPER RUBBER,CLENER (Ref # 12)	92075-217	
COLLAR (Ref # 13)	92027-153	
DAMPER RUBBER (Ref # 14)	92075-051	
WASHER SPRING 6MM (Ref # 15)	461F0600	
BOLT-UPSET,6X16 (Ref # 16)	112G0616	