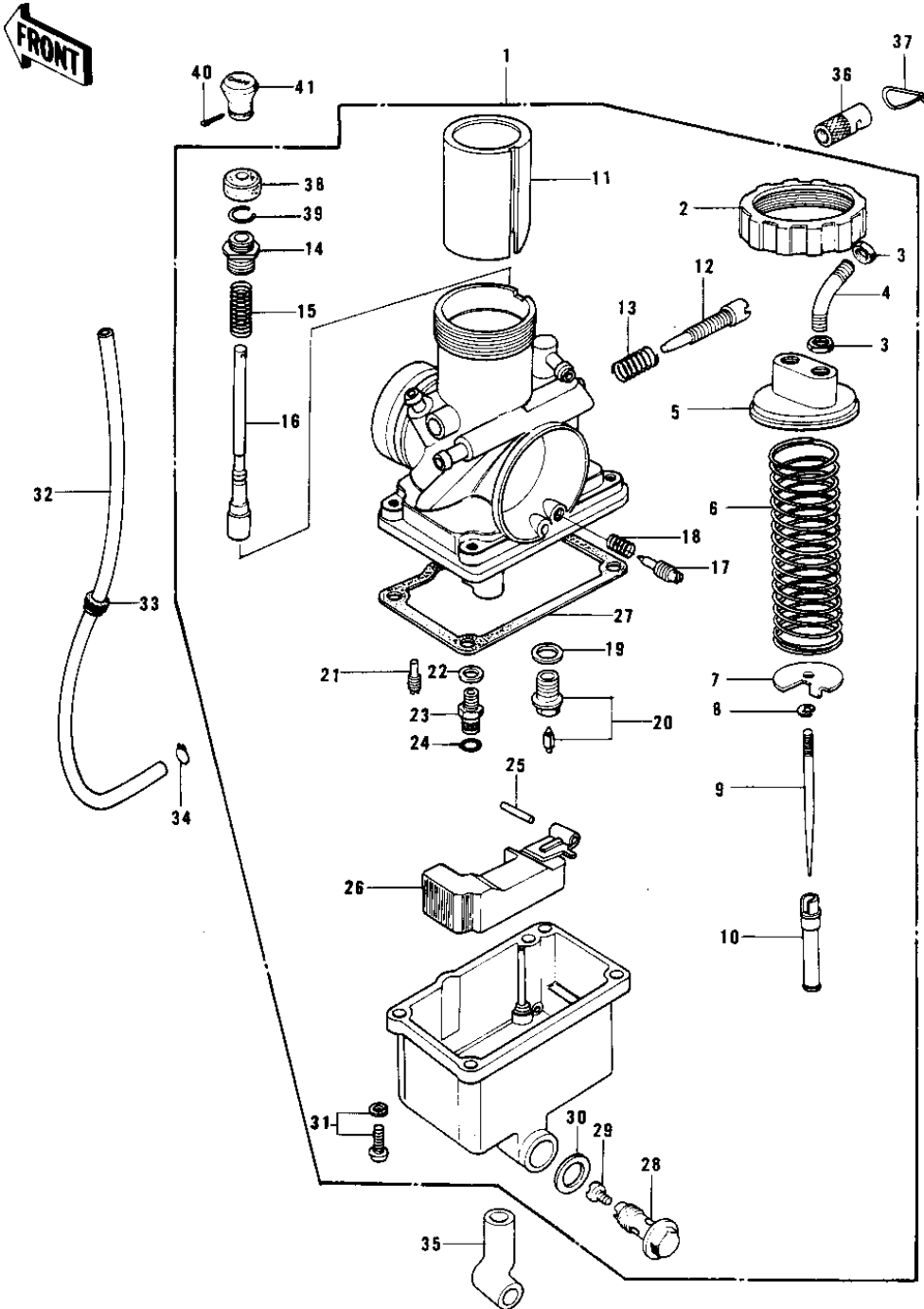


1977 KD175-A2 PARTS DIAGRAM

CARBURETOR



1054-777-11 KD175

1977 KD175-A2 PARTS LIST

CARBURETOR

ITEM NAME	PART NUMBER	QUANTITY
CARBURETOR ASSY (Ref # 1)	16001-273	
CAP MIXING CHAMBER (Ref # 2)	16004-011	
NUT CABLE ADJUST LOCK (Ref # 3)	16003-004	
GUIDE,CABLE (Ref # 4)	16077-015	
TOP,MIXING CHAMBER (Ref # 5)	16005-025	
SPRING,THROTTLE VALVE (Ref # 6)	16006-029	
SPRING,THROTTLE (Ref # 6)	16006-031	
SPRING SEAT,THRTL VLV (Ref # 7)	16007-025	
CIRCLIP (Ref # 8)	16008-010	
JET NEEDLE 4EJ3 (Ref # 9)	16009-040	
NEEDLE JET,0-8 (Ref # 10)	16017-094	
VALVE,THROTTLE (Ref # 11)	16025-079	
SCREW,THROTTLE STOP (Ref # 12)	16021-023	
SPRING THR STOP SCREW (Ref # 13)	16022-005	
CAP,STARTER PLUNGER (Ref # 14)	16012-021	
SPRING,STARTER PLUNGR (Ref # 15)	16013-010	
PLUNGER,STARTER (Ref # 16)	16016-020	
SCREW PILOT AIR ADJST (Ref # 17)	16014-002	
SPRING-THR STOP SCREW (Ref # 18)	16022-007	
WASHER FLOAT VLV SEAT (Ref # 19)	16029-004	
FLOAT VALVE ASSY,#2.6 (Ref # 20)	16030-025	
JET-PILOT NO 30 (Ref # 21)	92064-022	
WASHER MAIN JET (Ref # 22)	16034-001	
HOLDER-NEEDLE JET (Ref # 23)	16065-008	
"O" RING (Ref # 24)	92055-044	
FLOAT PIN (Ref # 25)	16032-006	
FLOAT (Ref # 26)	16031-026	
GASKET,FLOAT CHAMBER (Ref # 27)	16019-023	
BOLT-BANJO (Ref # 28)	92001-097	

1977 KD175-A2 PARTS LIST

CARBURETOR

ITEM NAME	PART NUMBER	QUANTITY
MAIN JET,#A102.5 (Ref # 29)	92063-1028	
MAIN JET,#A95 (Ref # 29)	92063-1031	
MAIN JET,#A97.5R (Ref # 29)	92063-1035	
MAIN JET,#A100 (Ref # 29)	92063-1033	
MAIN JET,#A105R (Ref # 29)	92063-1042	
GASKET-BANJO BOLT (Ref # 30)	16034-005	
SCREW-PAN-WS-CROS (Ref # 31)	223B0414	
PIPE-OIL (Ref # 32)	92059-072	
GROMMET PIPE (Ref # 33)	92071-038	
CLAMP FUEL PIPE (Ref # 34)	92037-010	
GROMMET,OVERFLOW (Ref # 35)	16136-011	
ADJUSTER,CABLE (Ref # 36)	16002-016	
CIRCLIP (Ref # 37)	92036-018	
CAP,STARTER PLUNGER (Ref # 38)	16036-012	
CIRCLIP (Ref # 39)	92037-1077	
PIN COTTER 1.6X15 (Ref # 40)	550D1615	
KNOB,CARBURETOR (Ref # 41)	92077-022	