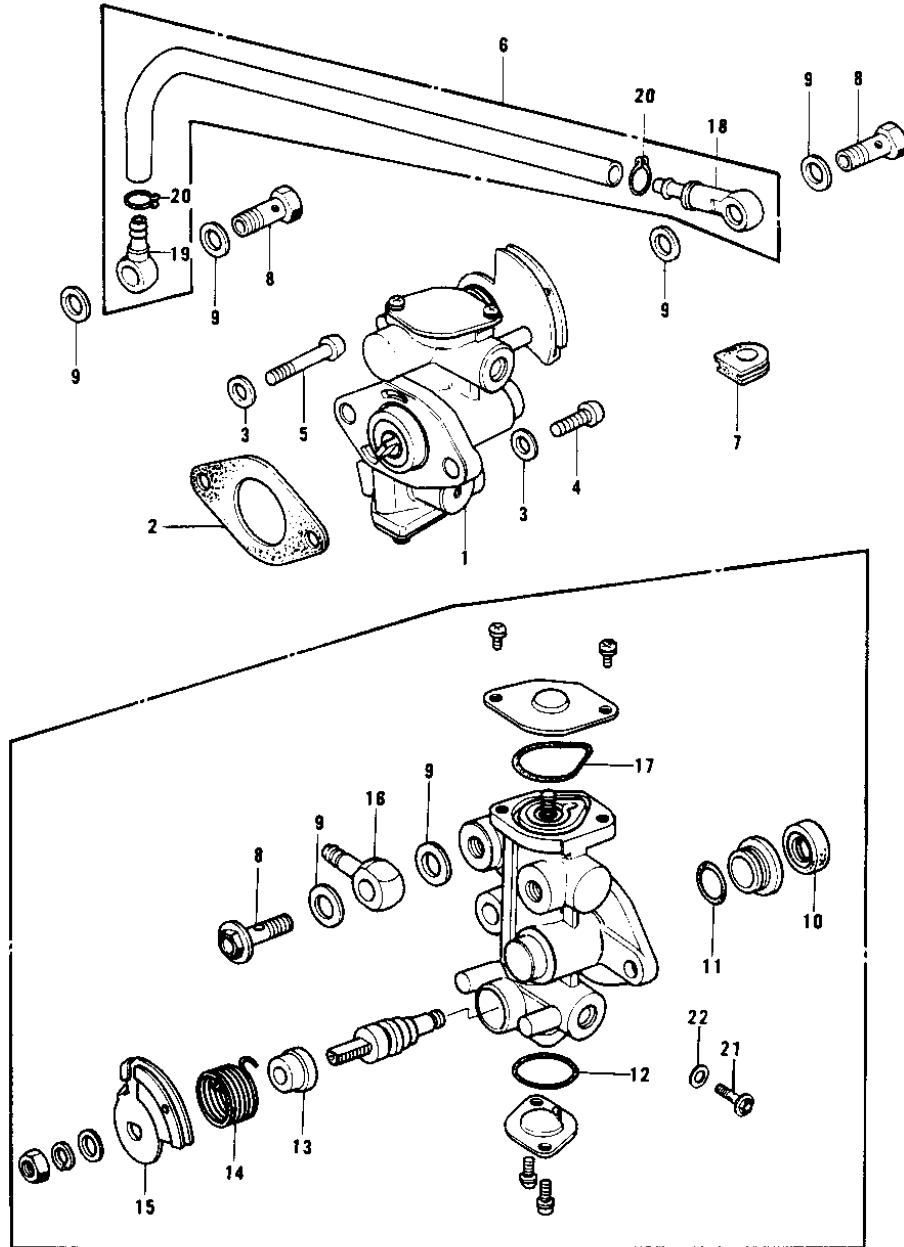


1977 KD175-A2 PARTS DIAGRAM

OIL PUMP



1977 KD175-A2 PARTS LIST

OIL PUMP

| ITEM NAME | PART NUMBER | QUANTITY |
|----------------------------------|-------------|----------|
| OIL PUMP ASSY (Ref # 1) | 16082-068 | |
| OIL PUMP ASSY (Ref # 1) | 16082-068 | |
| GASKET,OIL PUMP (Ref # 2) | 11060-1160 | |
| WASHER OIL PUMP (Ref # 3) | 92022-037 | |
| SCREW-PAN-CROS (Ref # 4) | 220B0514 | |
| SCREW PAN CROSS,5X28 (Ref # 5) | 220B0528 | |
| PIPE ASSY,OIL (Ref # 6) | 16134-028 | |
| GROMMET,OIL PUMP (Ref # 7) | 92071-091 | |
| BOLT-BANJO,6MM (Ref # 8) | 92060-013 | |
| WASHER OIL PUMP BANJO (Ref # 9) | 92022-077 | |
| OIL SEAL OIL PUMP SHT (Ref # 10) | 16091-001 | |
| "O" RING,OIL PUMP SHT (Ref # 11) | 16090-002 | |
| "O" RING,LOWER CAP (Ref # 12) | 16090-003 | |
| "O" RING,LOWER CAP (Ref # 12) | 16090-004 | |
| SEAL-OIL,CAMSHAFT,"X" (Ref # 13) | 92049-1294 | |
| SPRING OIL PUMP LEVER (Ref # 14) | 16093-004 | |
| LEVER-OIL PUMP CABLE (Ref # 15) | 16096-007 | |
| CONNECTOR BANJO (Ref # 16) | 92061-009 | |
| "O" RING,UPPER CAP (Ref # 17) | 16088-002 | |
| VALVE,CHECK (Ref # 18) | 16128-009 | |
| CONNECTOR,OIL PIPE (Ref # 19) | 92061-018 | |
| CLAMP,OIL PIPE (Ref # 20) | 92036-022 | |
| BOLT,AIR VENT (Ref # 21) | 92009-1010 | |
| WASHER (Ref # 22) | 92022-1006 | |