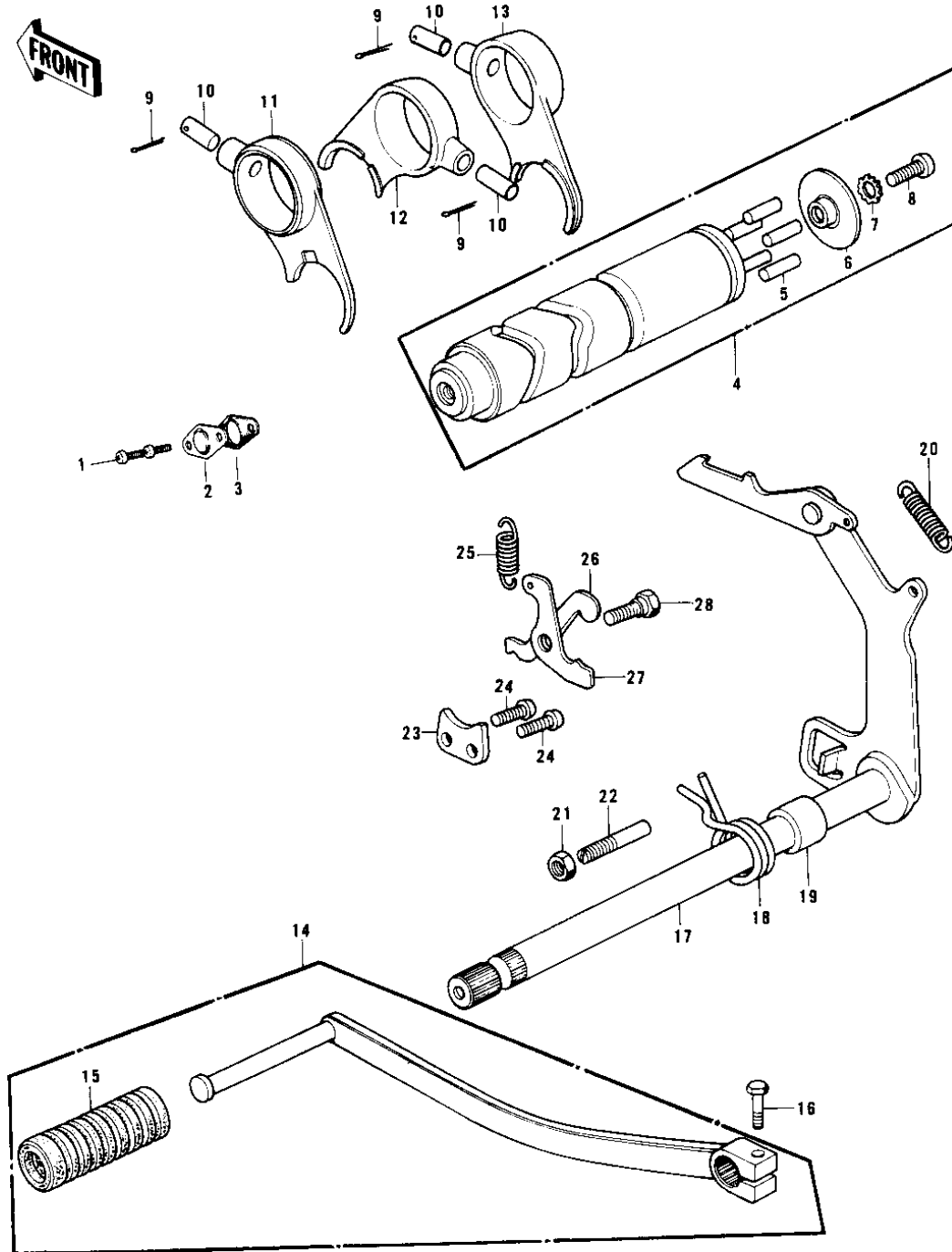


1978 KD175-A3 PARTS DIAGRAM

GEAR CHANGE MECHANISM



1978 KD175-A3 PARTS LIST

GEAR CHANGE MECHANISM

ITEM NAME	PART NUMBER	QUANTITY
SCREW PAN HEAD 6X10 (Ref # 1)	220B0610	
PLUG-OIL PUMP-HOLE (Ref # 2)	92084-004	
GASKET NEUTRAL SWITCH (Ref # 3)	13146-002	
DRUM ASSY-GEAR CHANGE (Ref # 4)	13239-002	
PIN GEAR CHANGE DRUM (Ref # 5)	92042-014	
PLATE-CHANGE DRUM PIN (Ref # 6)	13142-009	
WASHER LOCK 6MM (Ref # 7)	464H0600	
SCREW PAN HEAD 6X14 (Ref # 8)	220B0614	
PIN COTTER 3.0X20 (Ref # 9)	550D3020	
PIN SELECT FORK GUIDE (Ref # 10)	92043-005	
FORK-SELECTOR (Ref # 11)	13140-030	
FORK-SELECTOR,TOP (Ref # 12)	13140-049	
FORK-SELECTOR,LOW (Ref # 13)	13140-050	
PEDAL,GEAR CHANGE (Ref # 14)	13156-064	
RUBBER CHANGE PEDAL (Ref # 15)	13157-004	
BOLT-UPSET,6X20 (Ref # 16)	112G0620	
LEVER ASSY GEAR CHNG (Ref # 17)	13161-019	
SPRING,TENTION (Ref # 18)	92081-1129	
SPRING,TENTION (Ref # 18)	92081-1129	
SPRING,TENTION (Ref # 18)	92081-1129	
COLLAR (Ref # 19)	92027-121	
SPRING,CHANGE LEVER (Ref # 20)	92144-1720	
NUT 8MM (Ref # 21)	312B0800	
BOLT,RETURN SPRING (Ref # 22)	92001-1401	
PLATE CHNG DRUM PSTN (Ref # 23)	13169-002	
SCREW PAN HEAD 6X14 (Ref # 24)	220B0614	
SPRING-COIL (Ref # 25)	92081-091	
LEVER-CHANGE DRUM,B (Ref # 26)	13168-017	
LEVER-GEAR CHNG DRUM (Ref # 27)	13168-021	