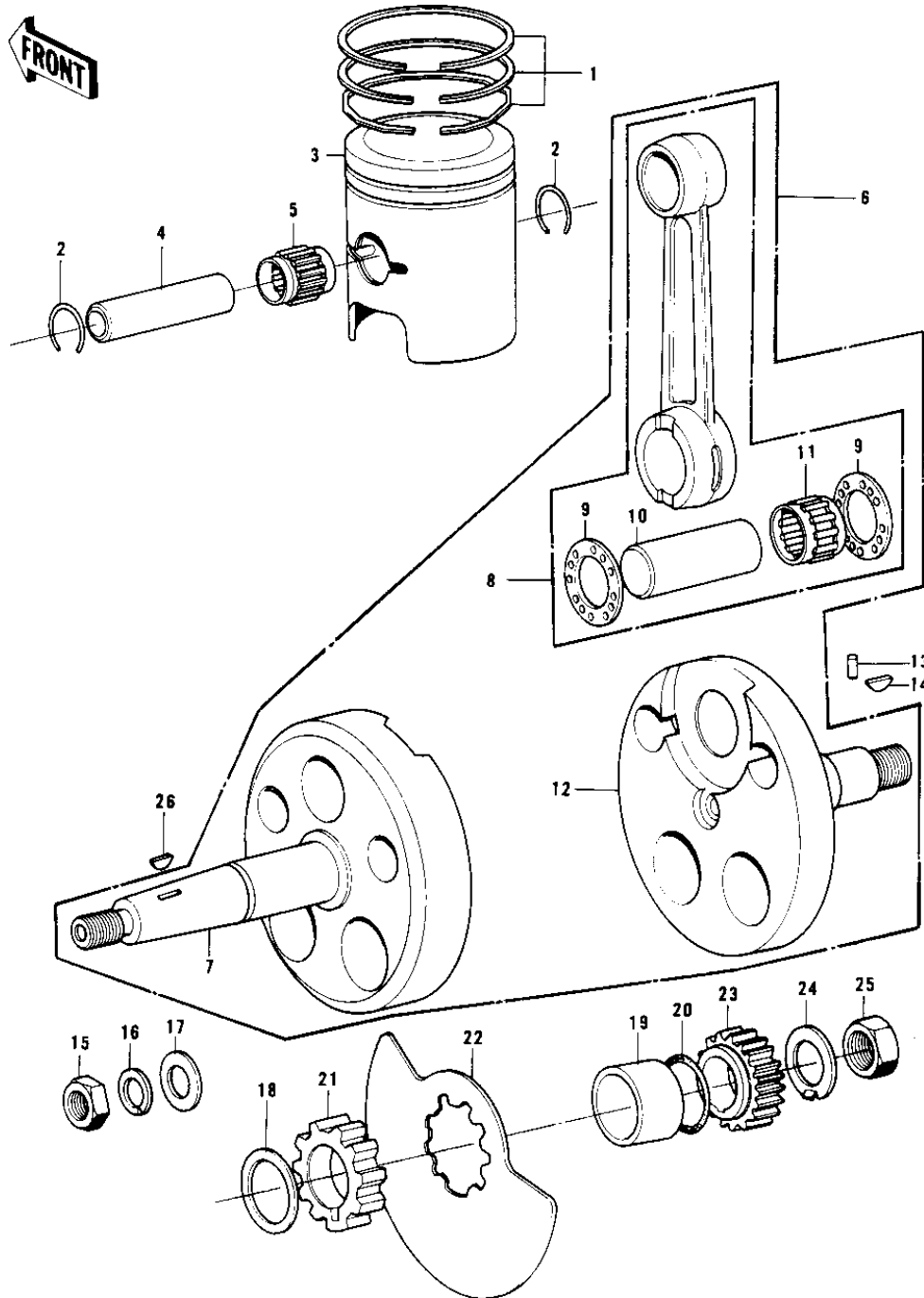


# 1979 KD175-A4 PARTS DIAGRAM

CRANKSHAFT/PISTON/ROTARY VALVE



# 1979 KD175-A4 PARTS LIST

## CRANKSHAFT/PISTON/ROTARY VALVE

ITEM NAME	PART NUMBER	QUANTITY
RING SET,STD (Ref # 1)	13008-058	
RING SET,0.020'0.S (Ref # 1)	13025-058	
RING SET,0.040'0.S (Ref # 1)	13024-058	
CIRCLIP PISTON PIN (Ref # 2)	92036-003	
PISTON,STD (Ref # 3)	13001-074	
PISTON,0.020'0.S (Ref # 3)	13029-072	
PISTON,0.040'0.S (Ref # 3)	13027-065	
PIN-PISTON (Ref # 4)	13002-018	
BEARING,SMALL END (Ref # 5)	13033-034	
CRANKSHAFT ASSY (Ref # 6)	13036-049	
CRANKSHAFT,L.H (Ref # 7)	13037-038	
CONNECTING ROD SET (Ref # 8)	13044-039	
WASHER SIDE (Ref # 9)	92026-011	
CRANK PIN (Ref # 10)	13035-022	
BEARING,BIG END (Ref # 11)	13034-042	
CRANKSHAFT,R.H (Ref # 12)	13038-034	
PIN DOWEL 4X10 (Ref # 13)	610A0410	
WOODRUFF KEY PRY PINI (Ref # 14)	92038-003	
NUT 14MM (Ref # 15)	92015-043	
WASHER SPRING 14MM (Ref # 16)	461F1400	
WASHER-PLAIN,14MM (Ref # 17)	92022-172	
COLLAR-CRANKSHAFT (Ref # 18)	92027-118	
COLLAR,25X32X10.5 (Ref # 19)	92143-1370	
"O" RING,22MM (Ref # 20)	92055-018	
COLLAR,DISC VLV (Ref # 21)	92027-242	
VALVE,ROTARY DISC (Ref # 22)	12002-028	
PINION,PRIMARY (Ref # 23)	13121-027	
WASHER,LOCK,18MM (Ref # 24)	92024-067	
NUT 18MM (Ref # 25)	92015-019	

# 1979 KD175-A4 PARTS LIST

CRANKSHAFT/PISTON/ROTARY VALVE

ITEM NAME	PART NUMBER	QUANTITY
WOODRUFF KEY (Ref # 26)	92038-001	