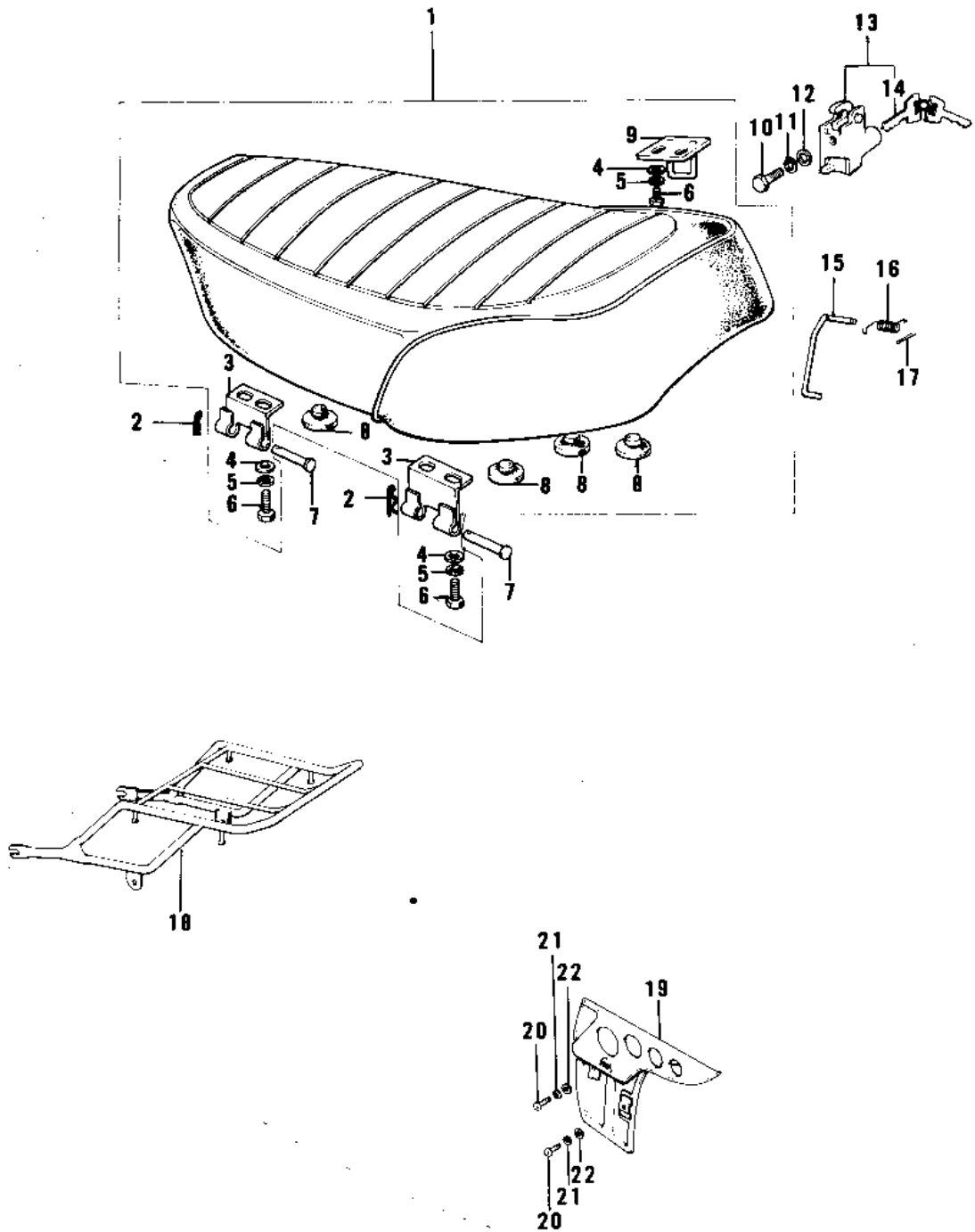


1973 F7-B

PARTS DIAGRAM

SEAT/CHAIN COVER ('74-'75 F7-C/F6-D)



1973 F7-B

PARTS LIST

SEAT/CHAIN COVER ('74-'75 F7-C/F6-D)

ITEM NAME

PART NUMBER

QUANTITY
