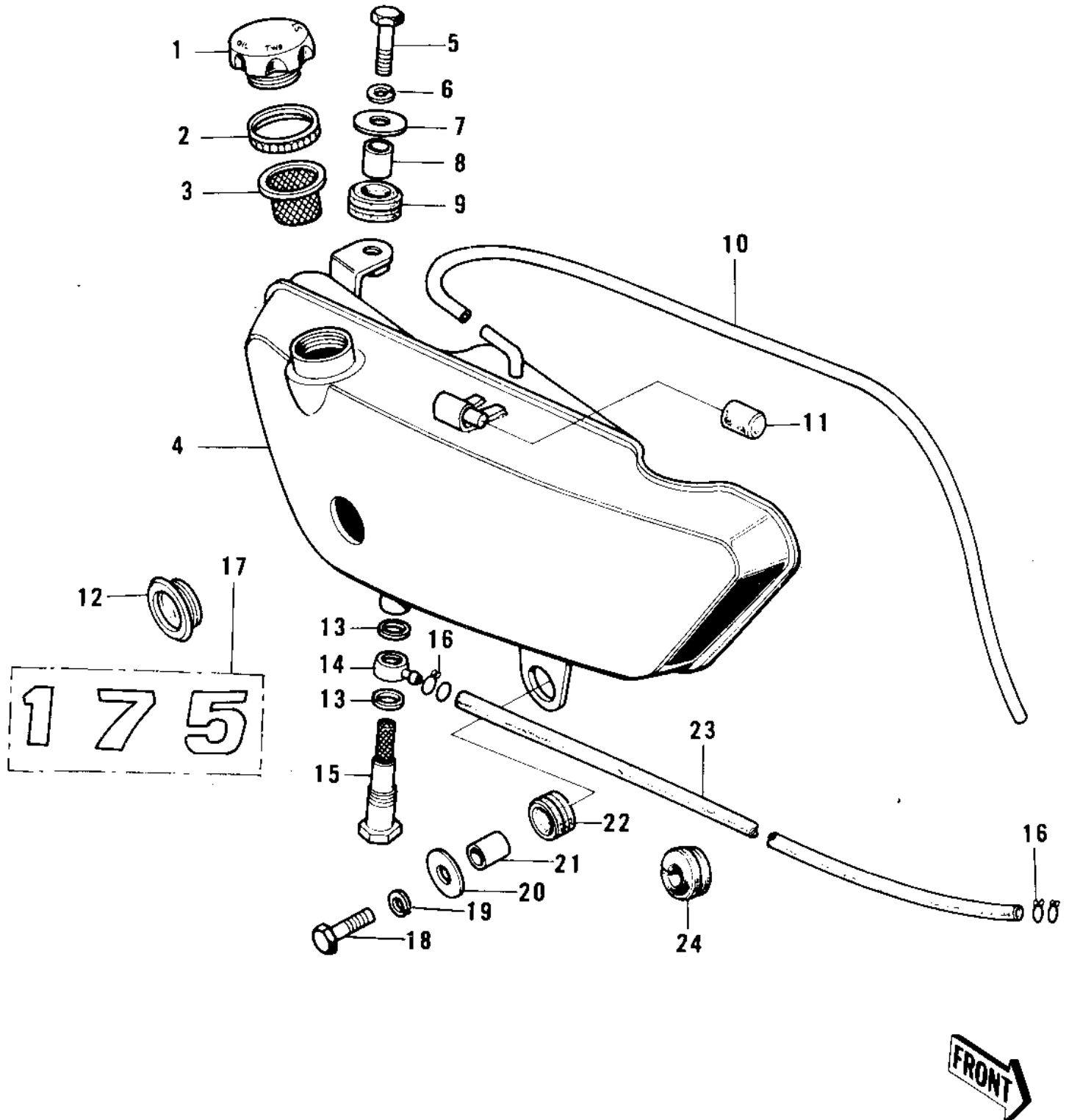


## 1973 F7-B PARTS DIAGRAM

OIL TANK ('74-'75 F7-C/F6-D)



## 1973 F7-B PARTS LIST

OIL TANK ('74-'75 F7-C/F6-D)

ITEM NAME	PART NUMBER	QUANTITY
CAP-OIL TANK (Ref # 1)	52003-018	1
GASKET OIL TANK CAP (Ref # 2)	92065-018	1
GASKET-OIL TANK (Ref # 2)	92065-086	1
STRAINER, OIL TANK CAP (Ref # 3)	52004-001	1
TANK-OIL,F.BLACK (Ref # 4)	52001-032-21	1
BOLT-UPSET,6X20 (Ref # 5)	112G0620	1
WASHER SPRING 6MM (Ref # 6)	461F0600	1
WASHER 6.5X20X1.6T (Ref # 7)	92022-125	1
COLLAR (Ref # 8)	92027-103	1
DAMPER RUBBER (Ref # 9)	92075-105	1
TUBE-VINYL,5X600 (Ref # 10)	700Q05600	1
DAMPER RUBBER (Ref # 11)	92075-067	1
GAUGE OIL LEVEL (Ref # 12)	52015-001	1
UNAVAILABLE IN PRICE BOOK (Ref # 13)	92065 058	1
CONNECTOR BANJO (Ref # 14)	92061-003	1
BOLT OIL TANK BANJO (Ref # 15)	92060-001	1
CLAMP FUEL PIPE (Ref # 16)	92037-010	1
EMBLEM-OIL TANK (Ref # 17)	56018-130	1
EMBLEM,SIDE COVER (Ref # 17)	56018-185	1
BOLT HEX HEAD 8X28 (Ref # 18)	114G0828	1
WASHER SPRING 8MM (Ref # 19)	461F0800	1
WASHER,8X26X2.3 (Ref # 20)	92022-1564	1
COLLAR (Ref # 21)	92027-102	1
DAMPER RUBBER-MUFFLER (Ref # 22)	18063-005	1
PIPE OIL TANK (Ref # 23)	92059-008	1
GROMMET PIPE (Ref # 24)	92071-038	1