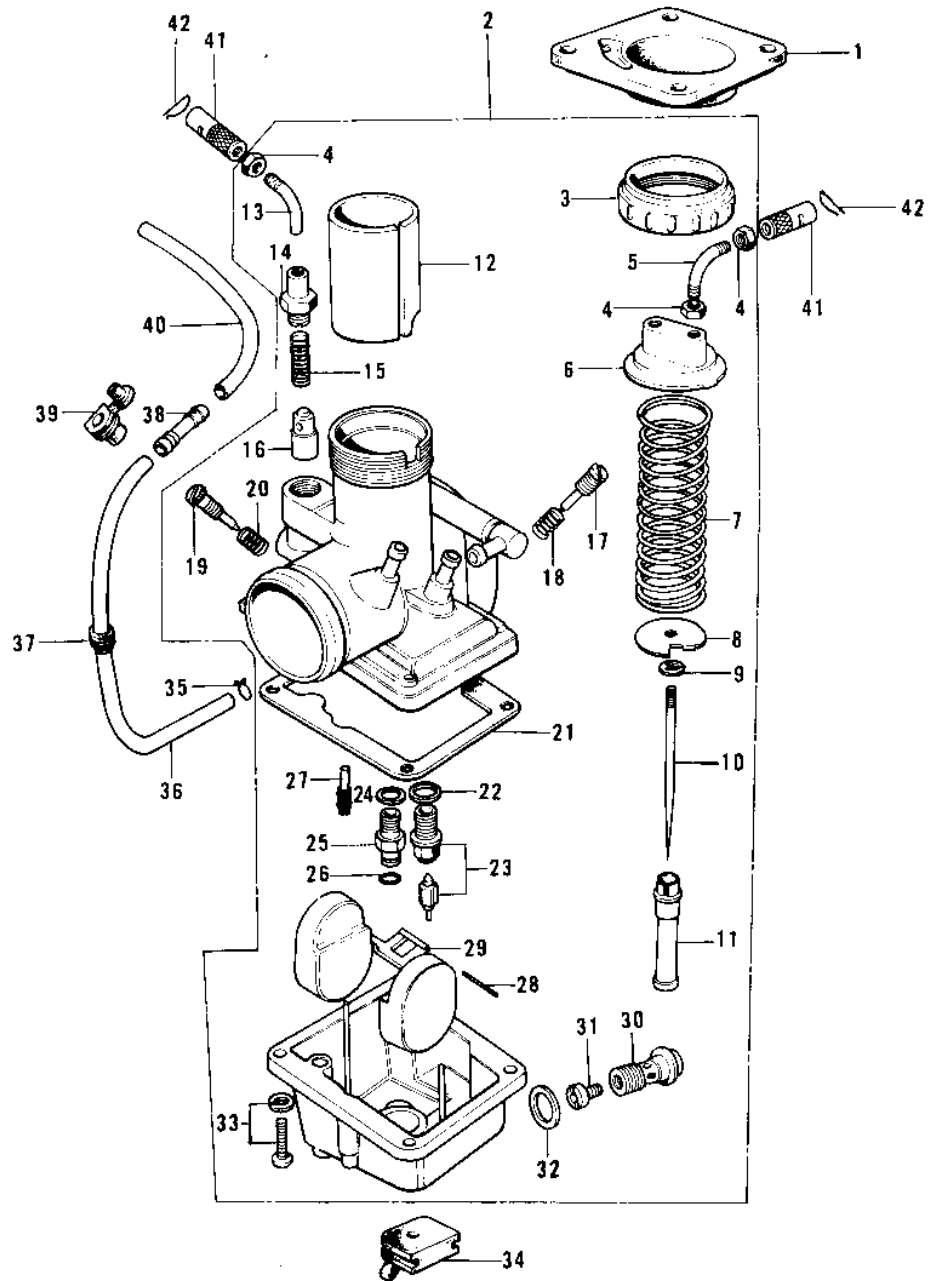


## 1973 F7-B PARTS DIAGRAM

CARBURETOR ('74-'75 F7-C/F6-D)



## 1973 F7-B PARTS LIST

CARBURETOR ('74-'75 F7-C/F6-D)

| ITEM NAME                         | PART NUMBER | QUANTITY |
|-----------------------------------|-------------|----------|
| CAP,CARBURETOR (Ref # 1)          | 14038-038   | 1        |
| CARBURETOR ASSY (Ref # 2)         | 16001-197   | 1        |
| CAP MIXING CHAMBER (Ref # 3)      | 16004-011   | 1        |
| NUT CABLE ADJUST LOCK (Ref # 4)   | 16003-004   | 1        |
| CABLE GUIDE (Ref # 5)             | 16077-001   | 1        |
| TOP,MIXING CHAMBER (Ref # 6)      | 16005-025   | 1        |
| SPRING,THROTTLE VALV (Ref # 7)    | 16006-023   | 1        |
| SPRING SEAT,THRTL VLV (Ref # 8)   | 16007-025   | 1        |
| CIRCLIP (Ref # 9)                 | 16008-010   | 1        |
| JET NEEDLE 4EJ3 (Ref # 10)        | 16009-040   | 1        |
| NEEDLE JET,0-G (Ref # 11)         | 16017-057   | 1        |
| VALVE,THROTTLE CA3.0 (Ref # 12)   | 16025-070   | 1        |
| GUIDE,CABLE (Ref # 13)            | 16077-010   | 1        |
| CAP,STARTER PLUNGER (Ref # 14)    | 16012-017   | 1        |
| SPRING-PLUNGER (Ref # 15)         | 16013-003   | 1        |
| PLUNGER-ENRICHNER (Ref # 16)      | 16016-002   | 1        |
| SCREW PILOT AIR ADJUST (Ref # 17) | 16014-002   | 1        |
| SPRING-THR STOP SCREW (Ref # 18)  | 16022-007   | 1        |
| SCREW,THROTTLE STOP (Ref # 19)    | 16021-023   | 1        |
| SPRING THR STOP SCREW (Ref # 20)  | 16022-005   | 1        |
| GASKET,FLOAT CHAMBER (Ref # 21)   | 16019-023   | 1        |
| WASHER FLOAT VLV SEAT (Ref # 22)  | 16029-004   | 1        |
| FLOAT VALVE ASSY,#2.6 (Ref # 23)  | 16030-025   | 1        |
| WASHER MAIN JET (Ref # 24)        | 16034-001   | 1        |
| HOLDER-NEEDLE JET (Ref # 25)      | 16065-008   | 1        |
| "O" RING (Ref # 26)               | 92055-044   | 1        |
| JET-PILOT NO 30 (Ref # 27)        | 92064-022   | 1        |
| FLOAT PIN (Ref # 28)              | 16032-006   | 1        |
| FLOAT (Ref # 29)                  | 16031-026   | 1        |

## 1973 F7-B PARTS LIST

CARBURETOR ('74-'75 F7-C/F6-D)

| ITEM NAME                        | PART NUMBER | QUANTITY |
|----------------------------------|-------------|----------|
| BOLT-BANJO (Ref # 30)            | 92001-097   | 1        |
| MAIN JET,#A105R (Ref # 31)       | 92063-1042  | 1        |
| MAIN JET,#A100 (Ref # 31)        | 92063-1033  | 1        |
| MAIN JET,#A102.5 (Ref # 31)      | 92063-1028  | 1        |
| JET-MAIN NO 107.5R (Ref # 31)    | 92063-073   | 1        |
| MAIN JET,#110R (Ref # 31)        | 92063-1038  | 1        |
| GASKET-BANJO BOLT (Ref # 32)     | 16034-005   | 1        |
| SCREW-PAN-WS-CROS (Ref # 33)     | 223B0414    | 1        |
| GROMMET,OVERFLOW PIPE (Ref # 34) | 16136-008   | 1        |
| CLAMP FUEL PIPE (Ref # 35)       | 92037-010   | 1        |
| PIPE (Ref # 36)                  | 92059-065   | 1        |
| GROMMET PIPE (Ref # 37)          | 92071-038   | 1        |
| NIPPLE (Ref # 38)                | 92005-003   | 1        |
| GROMMET (Ref # 39)               | 92071-073   | 1        |
| PIPE OIL TANK (Ref # 40)         | 92059-002   | 1        |
| CABLE ADJUSTER (Ref # 41)        | 16002-007   | 1        |
| CIRCLIP (Ref # 42)               | 92036-018   | 1        |