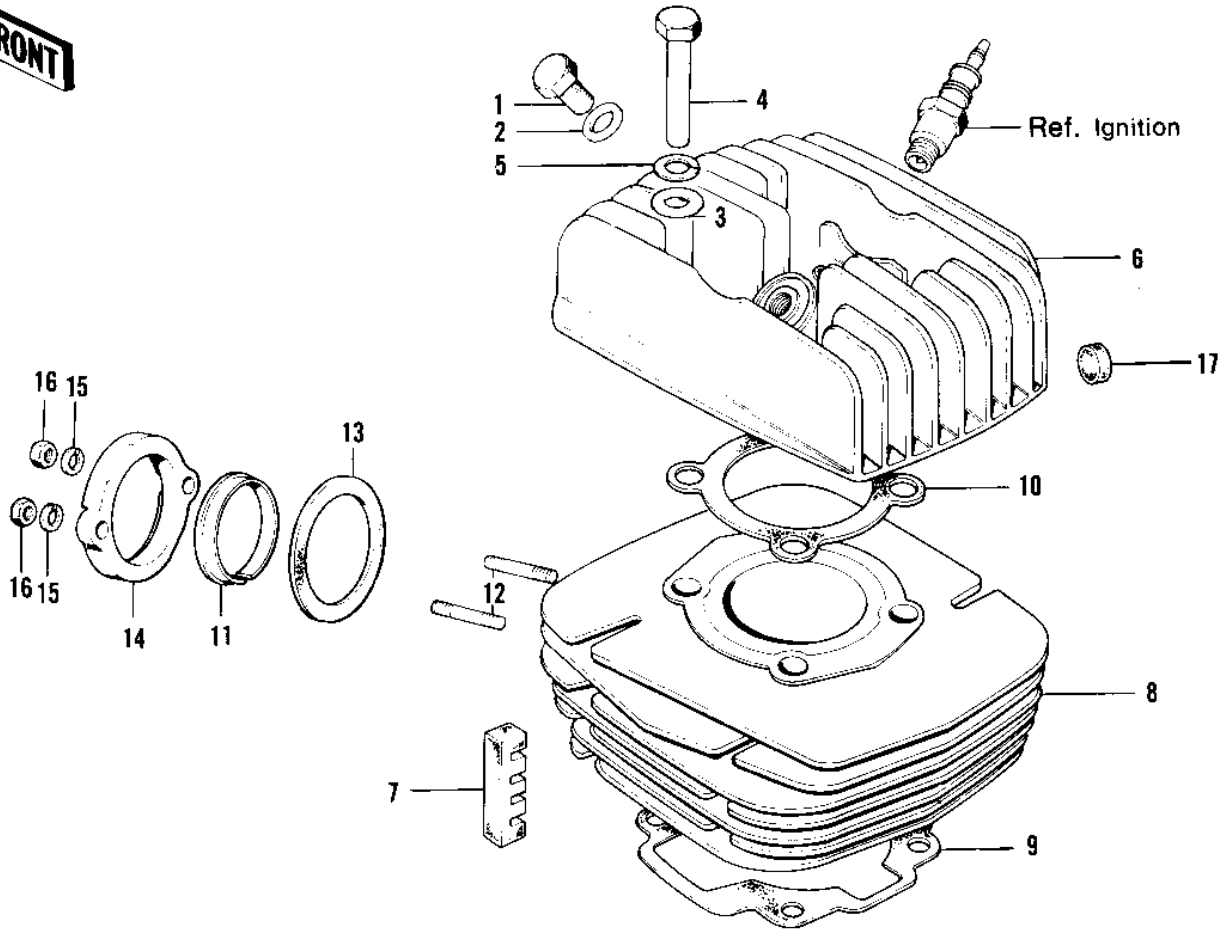
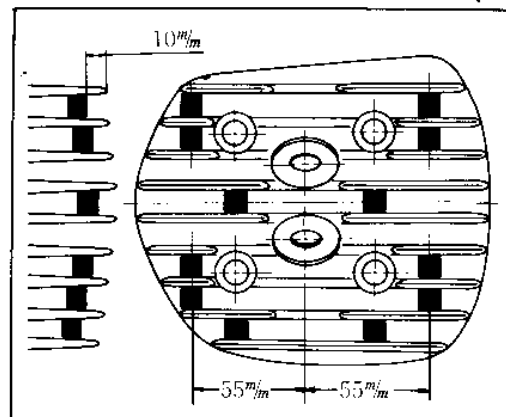


1972 F7-A PARTS DIAGRAM

CYLINDER HEAD/CYLINDER ('74-'75 F7-C/F6-



Location of Damper Rubber



1972 F7-A PARTS LIST

CYLINDER HEAD/CYLINDER ('74-'75 F7-C/F6-

ITEM NAME	PART NUMBER	QUANTITY
PLUG-CYLINDER HEAD (Ref # 1)	92067-005	
GASKET-CYL HEAD PLUG (Ref # 2)	92065-068	
WASHER PLAIN 12MM (Ref # 3)	92022-072	
NUT 8MM (Ref # 4)	92015-020	
WASHER SPRING 12MM (Ref # 5)	461F1200	
CYLINDER HEAD,BLACK (Ref # 6)	11001-092-21	
DAMPER RUBBER-CYLINDER (Ref # 7)	92075-142	
CYLINDER,FLAT.BLACK (Ref # 8)	11005-117-21	
GASKET-CYLINDER BASE (Ref # 9)	11009-026	
GASKET-CYLINDER HEAD (Ref # 10)	11004-042	
INSERT,EXHAUST HOLDER (Ref # 11)	18070-007	
STUD,8X25 (Ref # 12)	92004-1008	
STUD,8X25 (Ref # 12)	92004-1008	
STUD 8X30 (Ref # 12)	172G0830	
GASKET EXHAUST PIPE (Ref # 13)	18067-008	
HOLDER,EXHAUST PIPE (Ref # 14)	18069-051	
WASHER SPRING 8MM (Ref # 15)	461F0800	
NUT,8MM (Ref # 16)	311B0800	
NUT,LOCK,8MM (Ref # 16)	92017-013	
DAMPER RUBBER (Ref # 17)	92075-075	