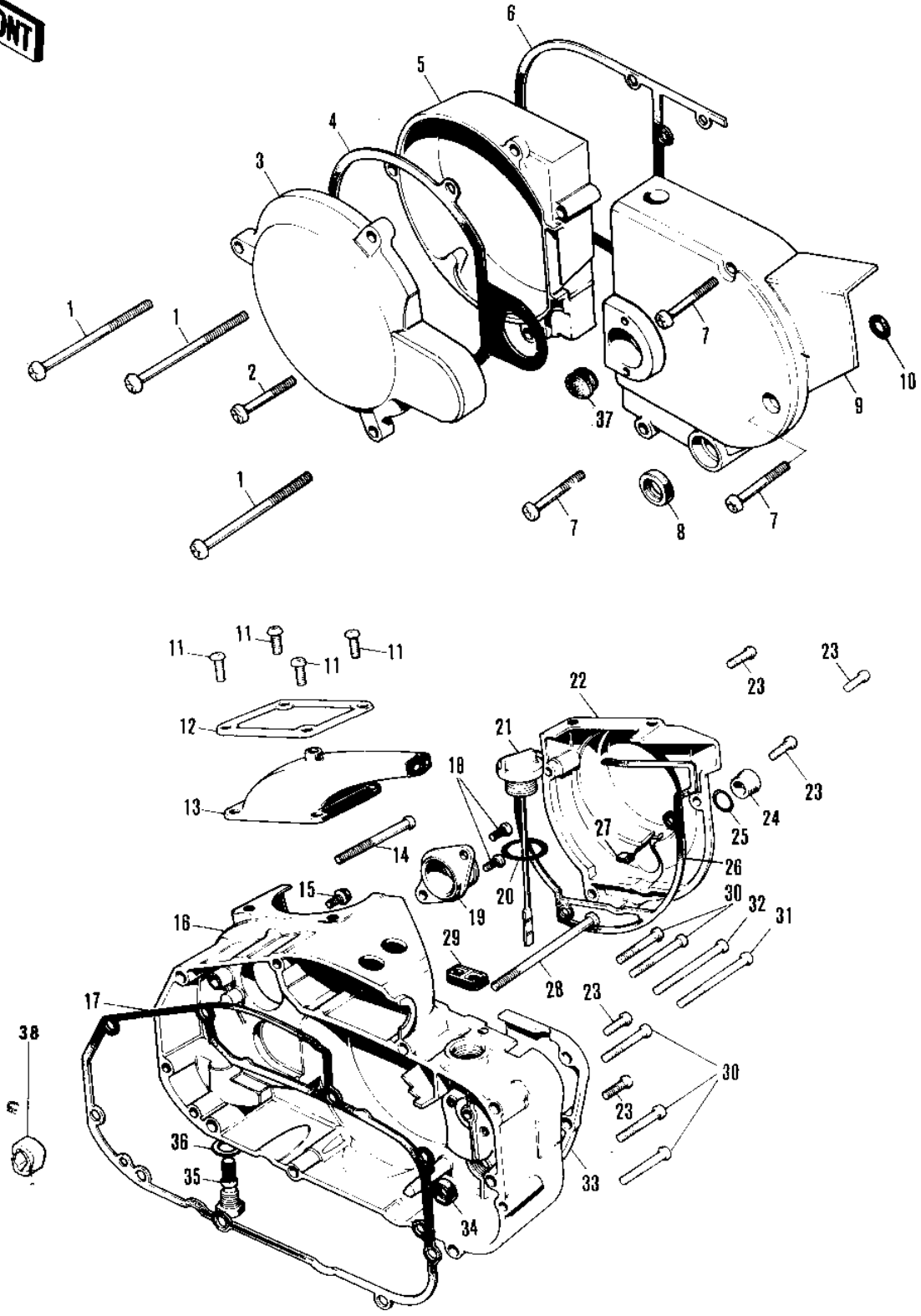


1972 F7-A PARTS DIAGRAM

ENGINE COVERS (71-73 F7/F7-A/F7-B)



1972 F7-A PARTS LIST

ENGINE COVERS ('71-'73 F7/F7-A/F7-B)

ITEM NAME	PART NUMBER	QUANTITY
SCREW-PAN HEAD,6X90 (Ref # 1)	220B0690	
SCREW PAN HEAD 6X50 (Ref # 2)	220B0650	
COVER,BRK POINT,BUFF (Ref # 3)	14027-017-80	
COVER-BRK POINT,BLACK (Ref # 3)	14027-009-21	
GASKET-BREAKER COVER (Ref # 4)	14050-003	
COVER,L.H ENG,BUFF (Ref # 5)	14031-042-80	
COVER-L.H ENG,BLACK (Ref # 5)	14031-042-21	
GASKET-L.H ENGINE COV (Ref # 6)	14045-009	
SCREW PAN HEAD 6X55 (Ref # 7)	220B0655	
SEAL-OIL (Ref # 8)	92049-1249	
COVER-CHAIN CASE (Ref # 9)	14026-002	
COVER-CHN CASE,BLACK (Ref # 9)	14026-002-21	
GASKET-CHAIN CASE COV (Ref # 10)	14045-010	
SCREW PAN HEAD 6X16 (Ref # 11)	220B0616	
HOLDER-CARBURETOR CAP (Ref # 12)	14065-002	
CAP-CARBURETOR (Ref # 13)	14038-028	
SCREW PAN HEAD 6X50 (Ref # 14)	220B0650	
BOLT-BANJO,6MM (Ref # 15)	92060-013	
COVER,R.H ENG.BUFF (Ref # 16)	14032-092-80	
COVER-R.H ENG,BLACK (Ref # 16)	14032-060-21	
GASKET-R.H ENGINE COV (Ref # 17)	14046-018	
SCREW PAN HEAD 6X12 (Ref # 18)	220B0612	
HOLDER-CARBURETOR (Ref # 19)	16065-007	
"O" RING,20MM (Ref # 20)	670B2020	
PLUG-OIL FILLER (Ref # 21)	16115-015	
COVER-CARBURETOR (Ref # 22)	14030-028	
COVER-CARB,F.BLACK (Ref # 22)	14030-028-21	
SCREW PAN HEAD 6X20 (Ref # 23)	220B0620	
PLUG-CARBURETOR COVER (Ref # 24)	92067-006	

1972 F7-A PARTS LIST

ENGINE COVERS ('71-'73 F7/F7-A/F7-B)

ITEM NAME	PART NUMBER	QUANTITY
"0" RING,20MM (Ref # 25)	670B2020	
GASKET-CARBURETOR COV (Ref # 26)	14048-003	
STOPPER-CARBURETOR (Ref # 27)	14064-001	
SCREW PAN HEAD 6X80 (Ref # 28)	220B0680	
GROMMET-OVERFLOW PIPE (Ref # 29)	16136-005	
SCREW PAN HEAD 6X35 (Ref # 30)	220B0635	
SCREW PAN HEAD 6X50 (Ref # 31)	220B0650	
SCREW PAN HEAD 6X40 (Ref # 32)	220B0640	
COVER,OIL PUMP,BUFF (Ref # 33)	14030-029-80	
COVER-OIL PUMP,BLACK (Ref # 33)	14030-029-21	
OIL SEAL TB16267 (Ref # 34)	92051-003	
PLUG-FUEL DRAIN (Ref # 35)	92067-007	
GASKET-DRAIN PLUG (Ref # 36)	92065-073	
CAP-RUBBER (Ref # 37)	92073-015	
TENSIONER-CHAIN (Ref # 38)	13123-006	