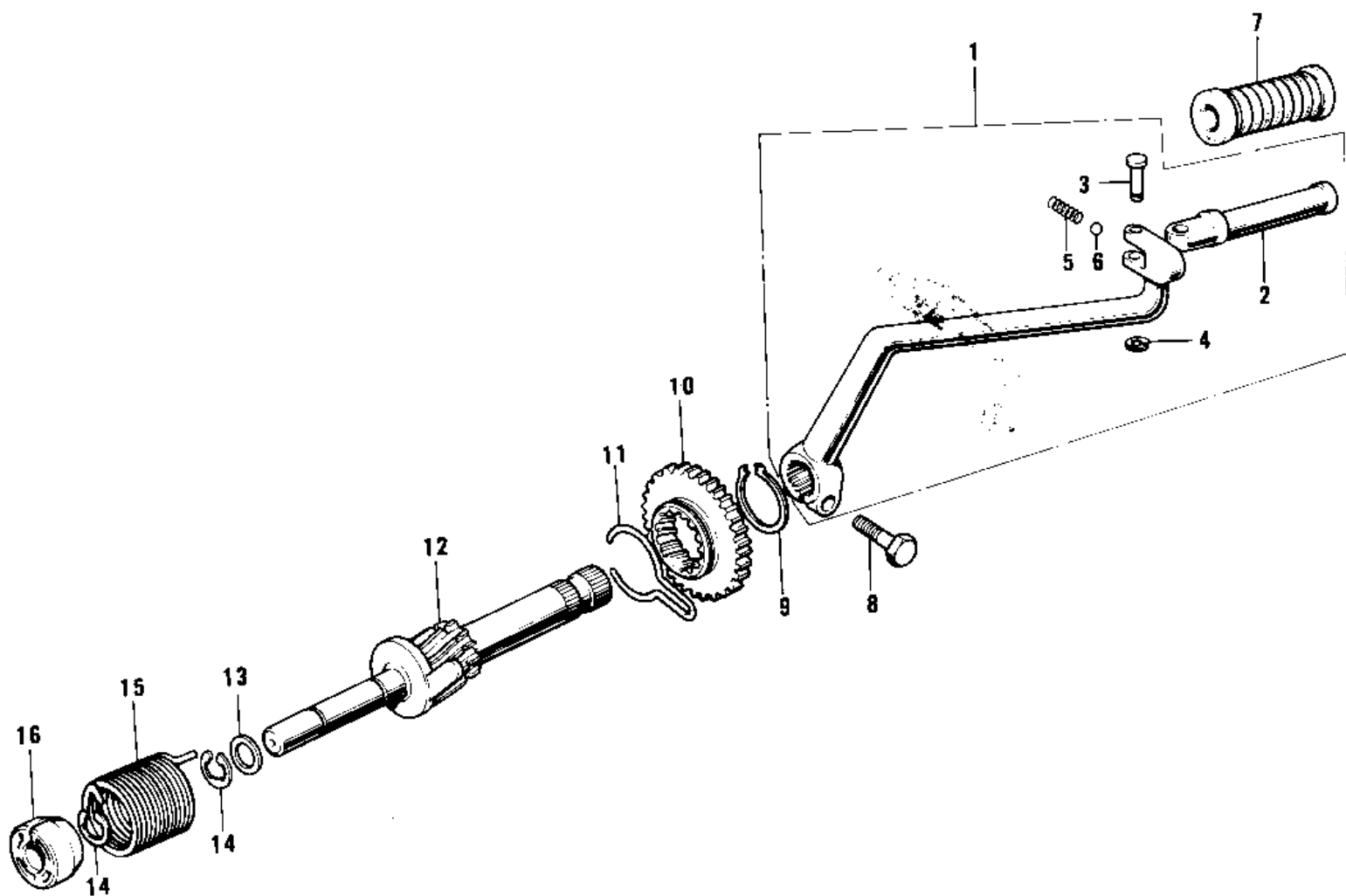


1973 F7-B PARTS DIAGRAM

KICKSTARTER MECHANISM ('71-'73 F7/F7-A/F)



1973 F7-B PARTS LIST

KICKSTARTER MECHANISM ('71-'73 F7/F7-A/F)

ITEM NAME	PART NUMBER	QUANTITY
PEDAL ASSY,KICK (Ref # 1)	13064-020	1
LEVER-KICKSTARTER (Ref # 2)	13060-012	1
PIN-KICKSTARTER PEDAL (Ref # 3)	92043-068	1
CIRCLIP 5MM (Ref # 4)	482K5000	1
SPRING-KICK STARTER (Ref # 5)	92081-049	1
BALL-STEEL,11/32" (Ref # 6)	600A1100	1
RUBBER KICK PEDAL (Ref # 7)	13063-004	1
BOLT-SMALL-UPSET 8X25 (Ref # 8)	115G0825	1
CIRCLIP (Ref # 9)	92033-022	1
GEAR-KICKSTARTER (Ref # 10)	13068-026	1
HOLDER KICK GEAR (Ref # 11)	13077-002	1
SHAFT ASY,KICKSTARTER (Ref # 12)	13245-004	1
SHIM-KICK SHAFT,0.5T (Ref # 13)	92022-150	1
CIRCLIP 10MM (Ref # 14)	482J0100	1
SPRING KICKSTARTER (Ref # 15)	92082-002	1
GUIDE KICK SPRING (Ref # 16)	13070-001	1