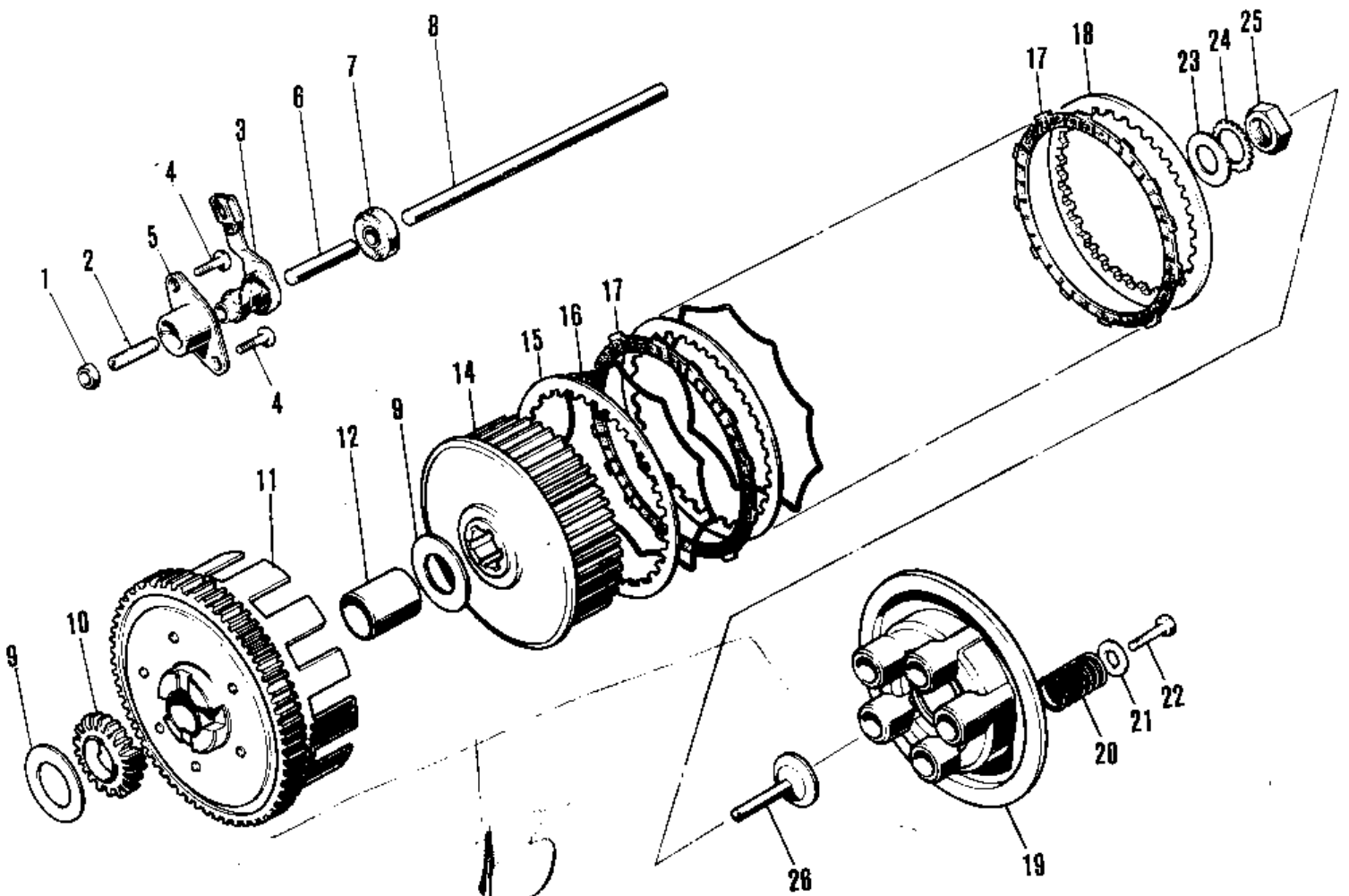


## 1973 F7-B PARTS DIAGRAM

CLUTCH ('71-'73 F7/F7-A/F7-B)



## 1973 F7-B PARTS LIST

CLUTCH ('71-'73 F7/F7-A/F7-B)

| ITEM NAME                        | PART NUMBER | QUANTITY |
|----------------------------------|-------------|----------|
| NUT 6MM (Ref # 1)                | 311B0600    | 2        |
| SCREW SLOTTED (Ref # 2)          | 291Z0625    | 1        |
| RELEASE INNER-CLUTCH (Ref # 3)   | 13102-011   | 1        |
| SCREW PAN HEAD 6X14 (Ref # 4)    | 220B0614    | 1        |
| RELEASE OUTER-CLUTCH (Ref # 5)   | 13118-006   | 1        |
| ROD-CLUTCH PUSH,SHORT (Ref # 6)  | 13116-018   | 1        |
| OIL SEAL TB7246 (Ref # 7)        | 92052-010   | 1        |
| ROD-CLUTCH PUSH,LONG (Ref # 8)   | 13116-017   | 1        |
| WASHER-CLUTCH THRUST (Ref # 9)   | 92022-168   | 1        |
| PINION-KICKSTARTER (Ref # 10)    | 13075-006   | 1        |
| CLUTCH-ASSY (Ref # 11~22)        | 13081-084   | 1        |
| HOUSING-COMP-CLUTCH (Ref # 11)   | 13095-1024  | 1        |
| BUSH-CLUTCH (Ref # 12)           | 92028-014   | 1        |
| HUB,CLUTCH (Ref # 14)            | 13087-032   | 1        |
| PLATE CLUTCH STEEL (Ref # 15)    | 13089-003   | 1        |
| RING-CLUTCH STEEL (Ref # 16)     | 13229-002   | 1        |
| PLATE-FRICTION (Ref # 17)        | 13088-1015  | 2        |
| PLATE CLUTCH OUTER (Ref # 18)    | 13090-002   | 1        |
| PLATE-CLUTCH SPRING (Ref # 19)   | 13187-004   | 1        |
| SPRING-CLUTCH (Ref # 20)         | 92081-080   | 1        |
| WASHER-PLAIN,5MM (Ref # 21)      | 92022-167   | 1        |
| BOLT,5X18 (Ref # 22)             | 92003-078   | 1        |
| WASHER-LOCK,14MM (Ref # 23)      | 92024-046   | 1        |
| WASHER-LOCK,14MM (Ref # 24)      | 463G1400    | 1        |
| NUT, 14MM (Ref # 25)             | 315B1400    | 1        |
| PUSHER-CLTCH SPRG PLT (Ref # 26) | 13116-016   | 1        |