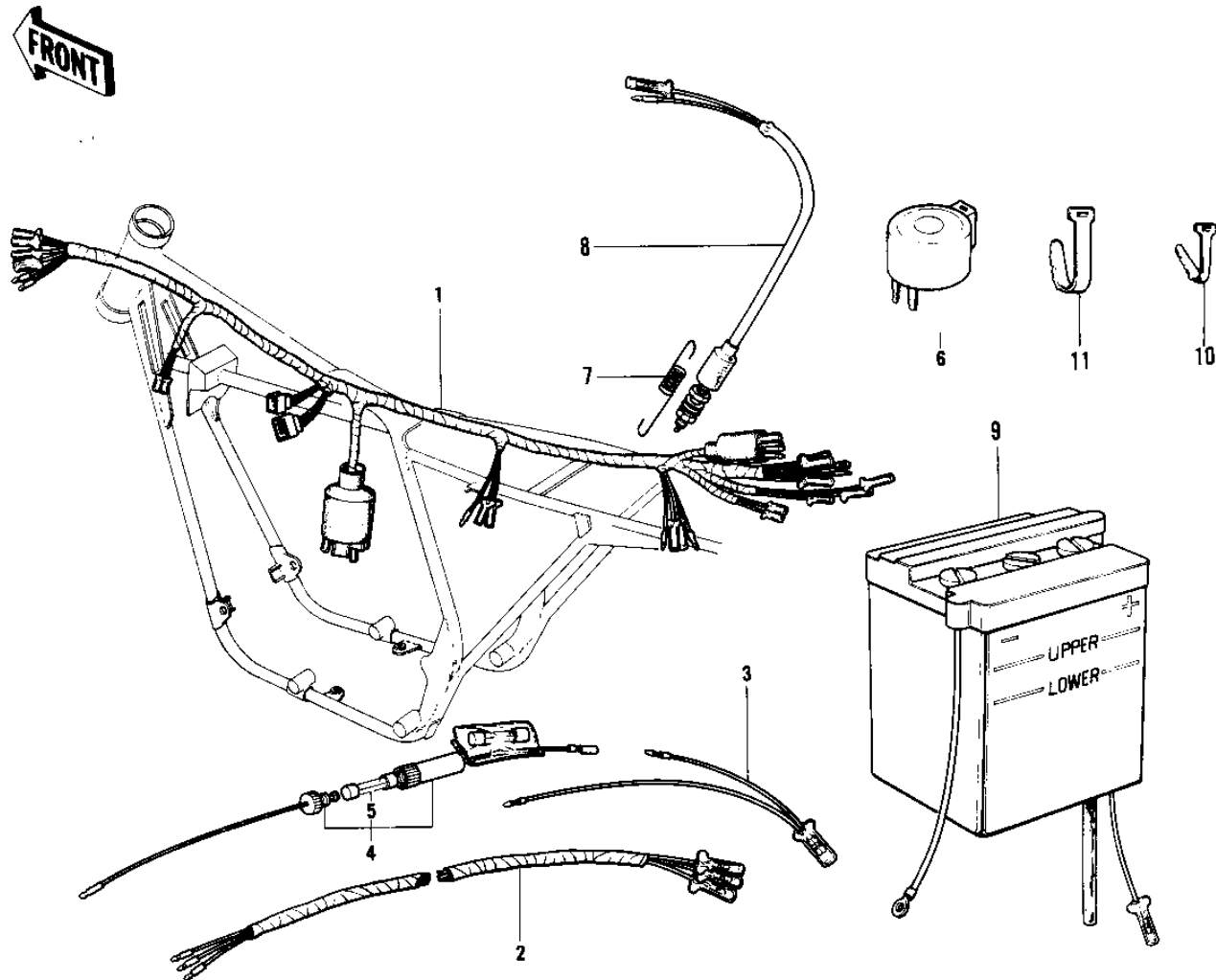


## 1971 F6 PARTS DIAGRAM CHASSIS ELECTRICAL EQUIPMENT



## 1971 F6 PARTS LIST

### CHASSIS ELECTRICAL EQUIPMENT

ITEM NAME	PART NUMBER	QUANTITY
WIRING HARNESS (OPT) (Ref # 1)	26001-056	1
WIRING HARNESS-MAIN (Ref # 1)	26001-077	1
WIRING HARNWSS REAR (Ref # 2)	26002-027	1
WIRING HARNESS-REAR (Ref # 2)	26002-029	1
LEAD WIRE (Ref # 3)	26011-042	1
FUES ASSY (Ref # 4, 5)	26004-008	1
FUSE 10A (Ref # 5)	26006-003	1
RELAY-TURN SIGNAL (Ref # 6)	27002-013	1
SPRING BRAKE LAMP SW (Ref # 7)	27011-004	1
SWITCH-BRAKE LAMP (Ref # 8)	27010-018	1
YUA BAT 6N4-2A-5 (Ref # 9)	K26012-020	1
BAND,SHORT (Ref # 10)	92072-030	1
BAND,LONG (Ref # 11)	92072-032	1