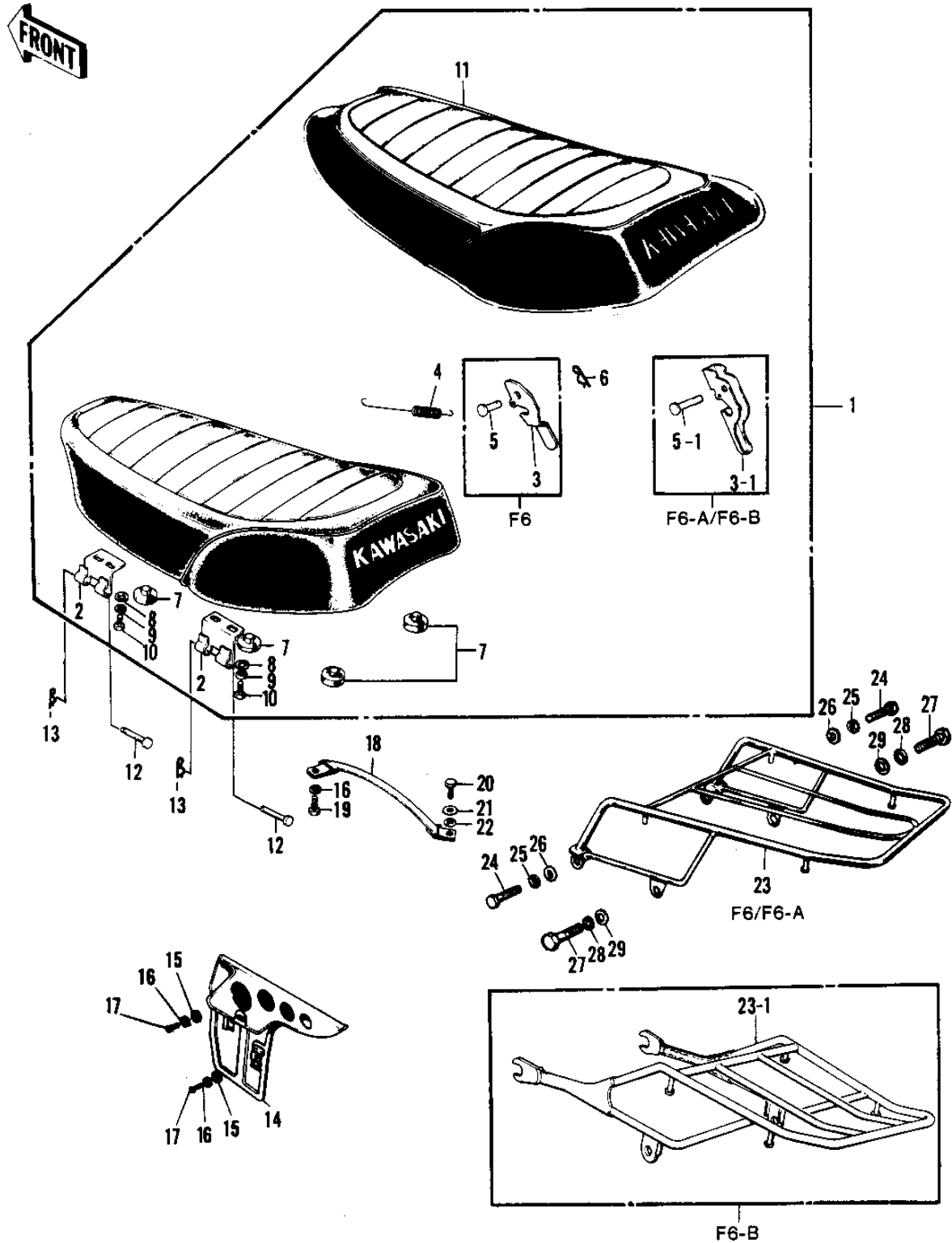


## 1973 F6-B PARTS DIAGRAM

SEAT/CARRIER/CHAIN COVER



## 1973 F6-B PARTS LIST

SEAT/CARRIER/CHAIN COVER

| ITEM NAME                        | PART NUMBER  | QUANTITY |
|----------------------------------|--------------|----------|
| SEAT-DUAL (Ref # 1)              | 53002-021    | 1        |
| SEAT ASSY-DUAL (Ref # 1)         | 53002-043    | 1        |
| HINGE (Ref # 2)                  | 53009-015    | 1        |
| HOOK (Ref # 3)                   | 53008-008    | 1        |
| HOOK (Ref # 3-1)                 | 53008-012    | 1        |
| SPRING,HOOK (Ref # 4)            | 53012-013    | 1        |
| PIN DUAL SEAT PIVOT (Ref # 5)    | 53011-001    | 1        |
| PIN-DUAL SEAT PIVOT (Ref # 5-1)  | 53011-004    | 1        |
| COTTER PIN (Ref # 6)             | 92041-003    | 2        |
| DAMPER RUBB DUAL SEAT (Ref # 7)  | 92075-023    | 1        |
| WASHER PLAIN 6MM (Ref # 8)       | 411B0600     | 2        |
| WASHER SPRING 6MM (Ref # 9)      | 461F0600     | 2        |
| BOLT-UPSET 6X14 (Ref # 10)       | 112B0614     | 1        |
| COVER-DUAL SEAT (Ref # 11)       | 53003-006    | 1        |
| PIN (Ref # 12)                   | 53011-002    | 1        |
| CASE-CHAIN,BLACK (Ref # 14)      | 36014-035-21 | 1        |
| SCREW PAN HEAD 6X12 (Ref # 17)   | 220B0612     | 1        |
| BAND-SEAT STOPPER (Ref # 18)     | 92072-038    | 2        |
| BOLT,6X10 (Ref # 19)             | 112G0610     | 1        |
| BOLT-UPSET,6X12 (Ref # 20)       | 112G0612     | 1        |
| WASHER LOCK 6MM (Ref # 21)       | 464H0600     | 1        |
| WASHER PLAIN 6MM (Ref # 22)      | 410B0600     | 1        |
| CARRIER-LUGGAGE (Ref # 23)       | 53029-038    | 1        |
| CARRIER-LUGGAGE (Ref # 23-1)     | 53029-045    | 1        |
| BOLT-SMALL-UPSET,8X18 (Ref # 24) | 115G0818     | 1        |
| WASHER SPRING 8MM (Ref # 25)     | 461F0800     | 1        |
| WASHER PLAIN 8MM (Ref # 26)      | 410B0800     | 1        |
| BOLT,HEX HEAD,10X18 (Ref # 27)   | 113G1018     | 1        |
| BOLT,10X28 (Ref # 27)            | 113G1028     | 1        |

## 1973 F6-B PARTS LIST

SEAT/CARRIER/CHAIN COVER

| ITEM NAME                     | PART NUMBER | QUANTITY |
|-------------------------------|-------------|----------|
| WASHER SPRING 10MM (Ref # 28) | 461F1000    | 1        |
| WASHER PLAIN 10MM (Ref # 29)  | 410B1000    | 1        |