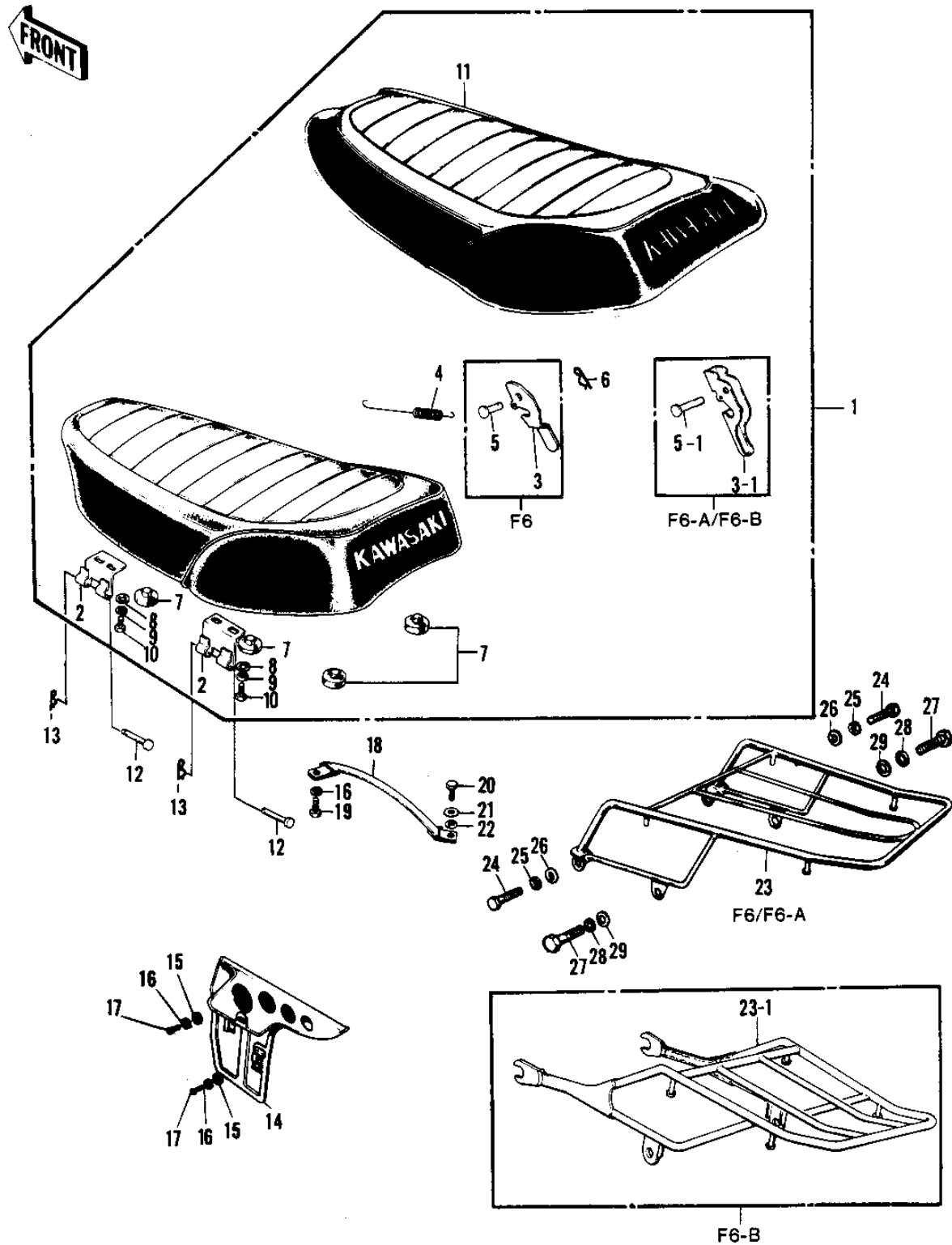


## 1971 F6 PARTS DIAGRAM

SEAT/CARRIER/CHAIN COVER



## 1971 F6 PARTS LIST

### SEAT/CARRIER/CHAIN COVER

ITEM NAME	PART NUMBER	QUANTITY
SEAT-DUAL (Ref # 1)	53002-021	1
SEAT ASSY-DUAL (Ref # 1)	53002-043	1
HINGE (Ref # 2)	53009-015	1
HOOK (Ref # 3)	53008-008	1
HOOK (Ref # 3-1)	53008-012	1
SPRING,HOOK (Ref # 4)	53012-013	1
PIN DUAL SEAT PIVOT (Ref # 5)	53011-001	1
PIN-DUAL SEAT PIVOT (Ref # 5-1)	53011-004	1
COTTER PIN (Ref # 6)	92041-003	2
DAMPER RUBB DUAL SEAT (Ref # 7)	92075-023	1
WASHER PLAIN 6MM (Ref # 8)	411B0600	2
WASHER SPRING 6MM (Ref # 9)	461F0600	2
BOLT-UPSET 6X14 (Ref # 10)	112B0614	1
COVER-DUAL SEAT (Ref # 11)	53003-006	1
PIN (Ref # 12)	53011-002	1
CASE-CHAIN,BLACK (Ref # 14)	36014-035-21	1
SCREW PAN HEAD 6X12 (Ref # 17)	220B0612	1
BAND-SEAT STOPPER (Ref # 18)	92072-038	2
BOLT,6X10 (Ref # 19)	112G0610	1
BOLT-UPSET,6X12 (Ref # 20)	112G0612	1
WASHER LOCK 6MM (Ref # 21)	464H0600	1
WASHER PLAIN 6MM (Ref # 22)	410B0600	1
CARRIER-LUGGAGE (Ref # 23)	53029-038	1
CARRIER-LUGGAGE (Ref # 23-1)	53029-045	1
BOLT-SMALL-UPSET,8X18 (Ref # 24)	115G0818	1
WASHER SPRING 8MM (Ref # 25)	461F0800	1
WASHER PLAIN 8MM (Ref # 26)	410B0800	1
BOLT,HEX HEAD,10X18 (Ref # 27)	113G1018	1
BOLT,10X28 (Ref # 27)	113G1028	1

## 1971 F6 PARTS LIST

SEAT/CARRIER/CHAIN COVER

ITEM NAME	PART NUMBER	QUANTITY
WASHER SPRING 10MM (Ref # 28)	461F1000	1
WASHER PLAIN 10MM (Ref # 29)	410B1000	1