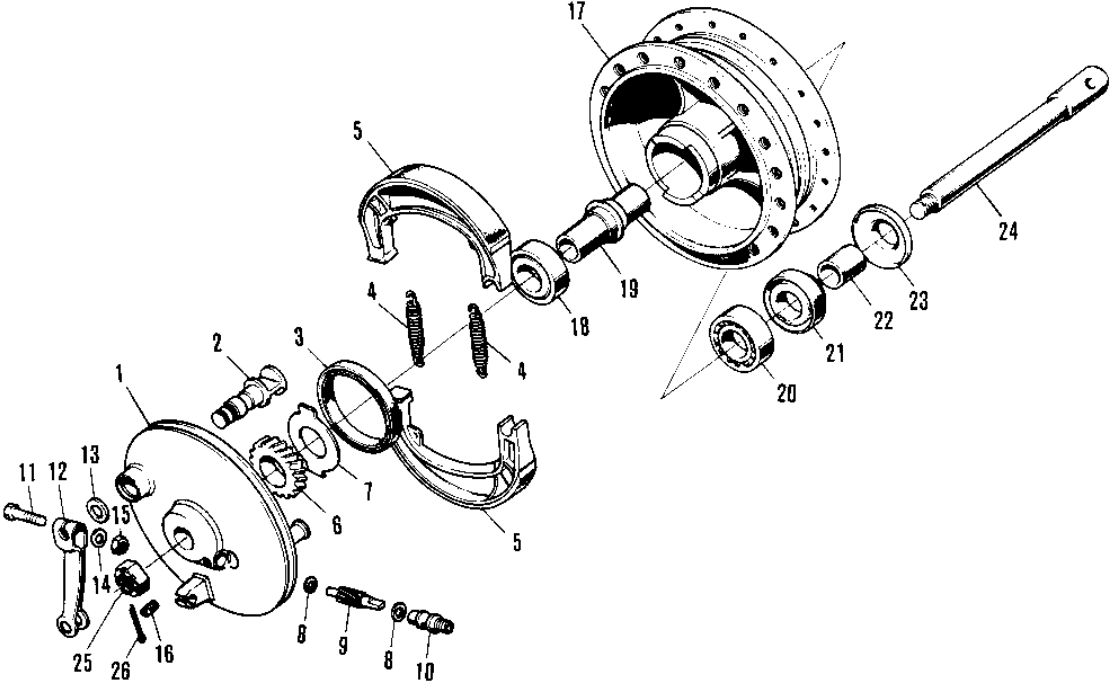


1971 F6 PARTS DIAGRAM

FRONT HUB/BRAKE



1971 F6 PARTS LIST

FRONT HUB/BRAKE

ITEM NAME	PART NUMBER	QUANTITY
PANEL-ASY,FR BRK BLK (Ref # 1-16)	41035-033-21	2
CAM SHAFT-FRONT BRAKE (Ref # 2)	41050-018	1
OIL SEAL F BRK PANEL (Ref # 3)	92050-010	1
SPRING,BRAKE SHOE (Ref # 4)	92081-1766	1
SHOE,BRAKE (Ref # 5)	41048-1007	1
GEAR-SPEEDOMETER (Ref # 6)	41059-014	1
RECIEVER-SPEED GEAR (Ref # 7)	41064-006	1
WASHER THRST SPD PINI (Ref # 8)	41063-001	1
PINION SPEEDOMETER (Ref # 9)	41060-004	1
BUSH SPEEDMETER CABLE (Ref # 10)	41062-001	1
BOLT-UPSET (Ref # 11)	112G0630	1
LEVER FRONT BRAKE CAM (Ref # 12)	41053-005	1
WASHER BRAKE CAM SHT (Ref # 13)	41052-001	1
WASHER PLAIN 6MM (Ref # 14)	410B0600	1
NUT 6MM (Ref # 15)	311B0600	1
SCREW-BUSHING NET (Ref # 16)	41070-004	2
PIN,SPRING (Ref # 16)	41082-001	1
DRUM-ASSY,FR BRK (Ref # 17-21)	41034-004	1
BEARING BALL #6301Z (Ref # 18)	601B6301Z	1
SPACER FR HUB BEARING (Ref # 19)	41039-005	1
BEARING BALL #6301 (Ref # 20)	601B6301	1
OIL SEAL FR BRK DRUM (Ref # 21)	92050-011	1
COLLAR FRONT HUB R.H (Ref # 22)	41069-005	1
DUST SHIELD FR BRAKE (Ref # 23)	41042-006	1
AXLE-FRONT (Ref # 24)	41068-034	1
NUT CASTLE 12MM (Ref # 25)	321B1200	1
PIN COTTER 3.0X25 (Ref # 26)	550D3025	1