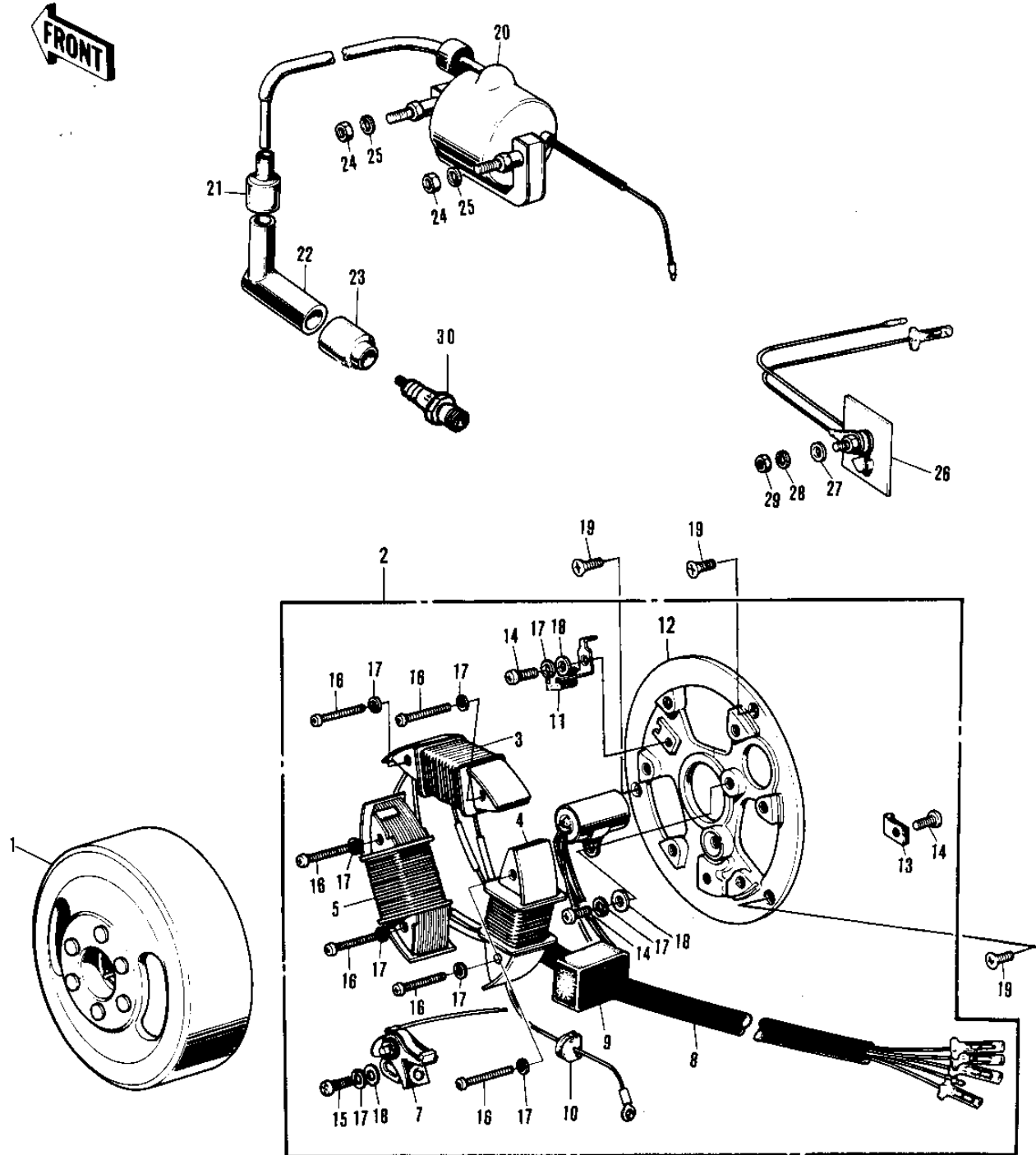


1972 F6-A PARTS DIAGRAM

IGNITION/GENERATOR/RECTIFIER



1972 F6-A PARTS LIST

IGNITION/GENERATOR/RECTIFIER

ITEM NAME	PART NUMBER	QUANTITY
FLYWHEEL (Ref # 1)	21050-012	
STATOR (Ref # 2)	21003-013	
COIL-LIGHTING,B (Ref # 3)	21047-016	
COIL-LIGHTING,A (Ref # 4)	21047-015	
COIL-PRIMARY (Ref # 5)	21049-013	
CONDENSER (Ref # 6)	21013-023	
BREAKER ASSY-CONTACT (Ref # 7)	21008-018	
WIRING HARNESS-MAGNT (Ref # 8)	21029-018	
GROMMET-WIRING HARN (Ref # 9)	92071-050	
GROMMET WIRING HARN C (Ref # 10)	21017-005	
FELT OIL (Ref # 11)	21019-005	
BASE-MAGNETO (Ref # 12)	21048-011	
CLAMP WIRING HARNESS (Ref # 13)	21037-002	
SCREW PAN HEAD 4X8 (Ref # 14)	220B0408	
SCREW-PAN-CRSOSS,4X12 (Ref # 15)	220B0412	
SCREW PAN HEAD 4X25 (Ref # 16)	220B0425	
WASHER SPRING 4MM (Ref # 17)	461F0400	
WASHER PLAIN 4MM (Ref # 18)	410B0400	
SCREW-CNTSNK HD,5X20 (Ref # 19)	221B0520A	
COIL-IGNITION (Ref # 20)	21121-043	
GROMMET,SPARK PLG CAP (Ref # 21)	21132-005	
CAP-SPARK PLUG (Ref # 22)	21130-016	
GROMMET-PLUG CAP,A (Ref # 23)	21131-004	
NUT 6MM (Ref # 24)	311B0600	
WASHER SPRING 6MM (Ref # 25)	461F0600	
RECTIFIER (Ref # 26)	21061-5001	
RECTIFIER (Ref # 26)	21061-5001	
WASHER LOCK 5MM (Ref # 27)	464H0500	
WASHER SPRING 5MM (Ref # 28)	461F0500	

1972 F6-A PARTS LIST

IGNITION/GENERATOR/RECTIFIER

ITEM NAME	PART NUMBER	QUANTITY
NUT,5MM (Ref # 29)	311B0500	
UNAVAILABLE IN PRICE BOOK (Ref # 30)	92070-010A	
SPARK PLUG B8HS (Ref # 30)	B8HS	