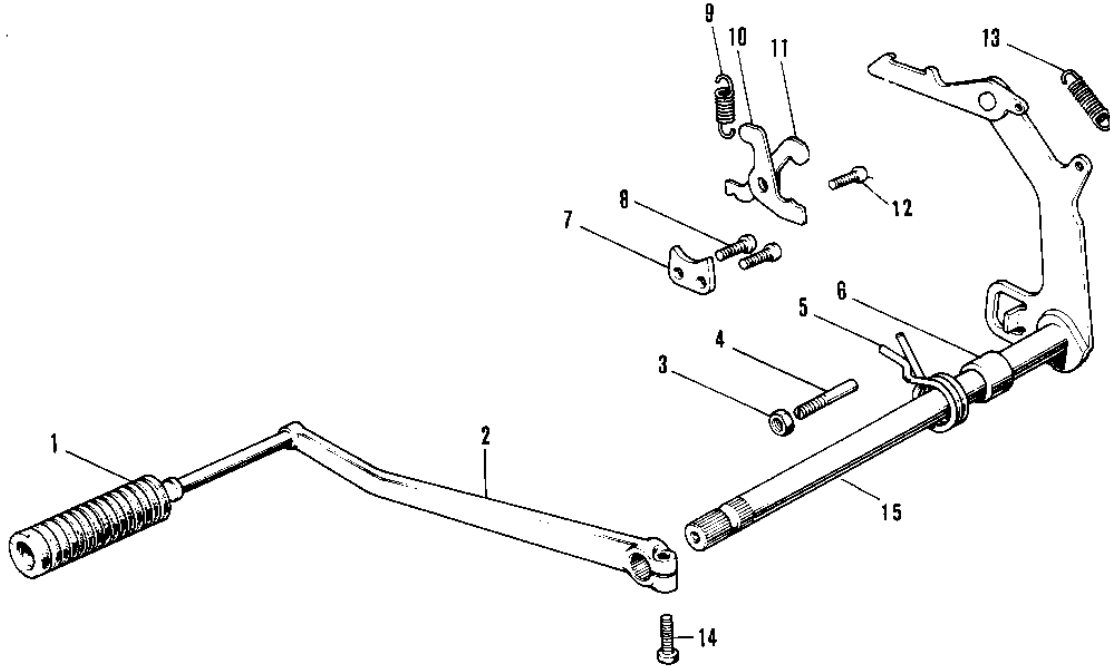


# 1972 F6-A PARTS DIAGRAM

## GEAR CHANGE MECHANISM



# 1972 F6-A PARTS LIST

## GEAR CHANGE MECHANISM

ITEM NAME	PART NUMBER	QUANTITY
RUBBER CHANGE PEDAL (Ref # 1)	13157-004	
PEDAL GEAR CHANGE (Ref # 2)	13156-042	
NUT 8MM (Ref # 3)	312B0800	
BOLT,RETURN SPRING (Ref # 4)	92001-1401	
SPRING,TENTION (Ref # 5)	92081-1129	
COLLAR (Ref # 6)	92027-121	
PLATE CHNG DRUM PSTN (Ref # 7)	13169-002	
SCREW PAN HEAD 6X14 (Ref # 8)	220B0614	
SPRING-COIL (Ref # 9)	92081-091	
LEVER-CHANGE DRUM,B (Ref # 10)	13168-017	
LEVER-GEAR CHNG DRUM (Ref # 11)	13168-021	
SCREW-PAN HEAD (Ref # 12)	92011-023	
SPRING,CHANGE LEVER (Ref # 13)	92144-1720	
BOLT-UPSET,6X20 (Ref # 14)	112G0620	
LEVER ASSY GEAR CHNG (Ref # 15)	13161-019	