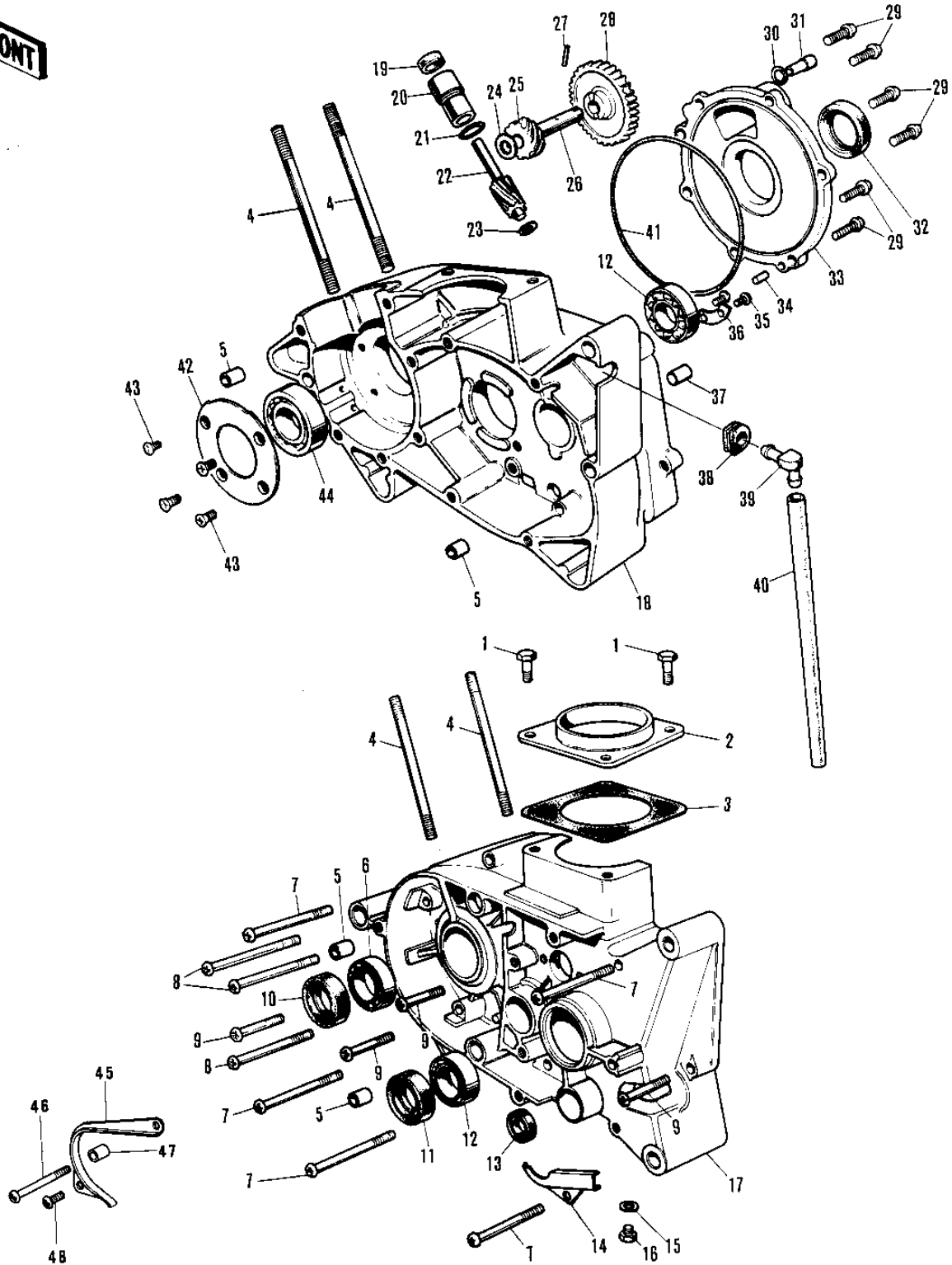


1973 F6-B PARTS DIAGRAM CRANKCASE



1973 F6-B PARTS LIST

CRANKCASE

ITEM NAME	PART NUMBER	QUANTITY
BOLT-UPSET,6X20 (Ref # 1)	112G0620	1
INLET PIPE (Ref # 2)	11015-022	1
GASKET-INLET PIPE (Ref # 3)	11017-006	1
STUD,8X70 (Ref # 4)	172G0870	1
PIN,DOWEL,10X8.2X14 (Ref # 5)	92043-1037	1
BEARING BALL #6205 (Ref # 6)	601B6205	1
SCREW PAN HEAD 6X65 (Ref # 7)	220B0665	1
SCREW PAN HEAD 6X55 (Ref # 8)	220B0655	1
SCREW PAN HEAD 6X40 (Ref # 9)	220B0640	1
SEAL-OIL (Ref # 10)	92049-1250	1
OIL SEAL SC30426 (Ref # 11)	92050-039	1
BEARING-BALL,6204C3 (Ref # 12)	92045-1046	1
OIL SEAL SB12205 (Ref # 13)	92049-004	1
COVER-WIRING HARNESS (Ref # 14)	14076-002	1
GASKET CHECK VALVE (Ref # 15)	92065-058	1
PLUG OIL DRAIN (Ref # 16)	92067-001	1
CRANKCASE,L.H (Ref # 17)	14002-078	1
CRANKCASE R.H (Ref # 18)	14003-052	1
OIL SEAL (Ref # 19)	92054-004	1
BUSH-TACHOMETER GEAR (Ref # 20)	92028-095	1
"0" RING (Ref # 21)	92055-025	1
GEAR TACHOMETER (Ref # 22)	13223-003	1
WASHER THRUST (Ref # 23)	92026-026	1
WASHER THRUST (Ref # 24)	92026-025	1
GEAR-TACHOMETER (Ref # 25)	13224-007	1
SHAFT-OIL PUMP (Ref # 26)	16086-002	1
PIN,DOWEL (Ref # 27)	92042-035	1
GEAR-OIL PUMP (Ref # 28)	16085-016	1
SCREW PAN HEAD 6X20 (Ref # 29)	220B0620	1

1973 F6-B PARTS LIST

CRANKCASE

ITEM NAME	PART NUMBER	QUANTITY
"0" RING,CHECK VALVE (Ref # 30)	92055-037	1
VALVE-CHECK (Ref # 31)	16128-006	1
OIL SEAL TB32457 (Ref # 32)	653B324507	1
COVER-ROTARY DISC VLV (Ref # 33)	14019-046	1
PIN DOWEL 5X12 (Ref # 34)	610A0512	1
SCREW PAN HEAD 6X12 (Ref # 35)	220B0612	2
HOLDER-MISSION BERNG (Ref # 36)	14014-022	1
PIN DOWEL 8X16 (Ref # 37)	551A0816	1
GROMMET (Ref # 38)	92071-042	1
BREATHER ASSY (Ref # 39)	14069-1001	1
PIPE-BREATHER (Ref # 40)	92059-061	1
"0" RING,120MM (Ref # 41)	92055-019	1
HOLDER-CRANK BEARING (Ref # 42)	14014-021	1
SCREW CNTSNK HD 6X16 (Ref # 43)	221B0616	1
BEARING BALL #6305 (Ref # 44)	601B6305	1
GUIDE-CHAIN (Ref # 45)	14077-002	1
SCREW PAN HEAD 6X85 (Ref # 46)	220B0685	1
COLLAR (Ref # 47)	92027-169	1