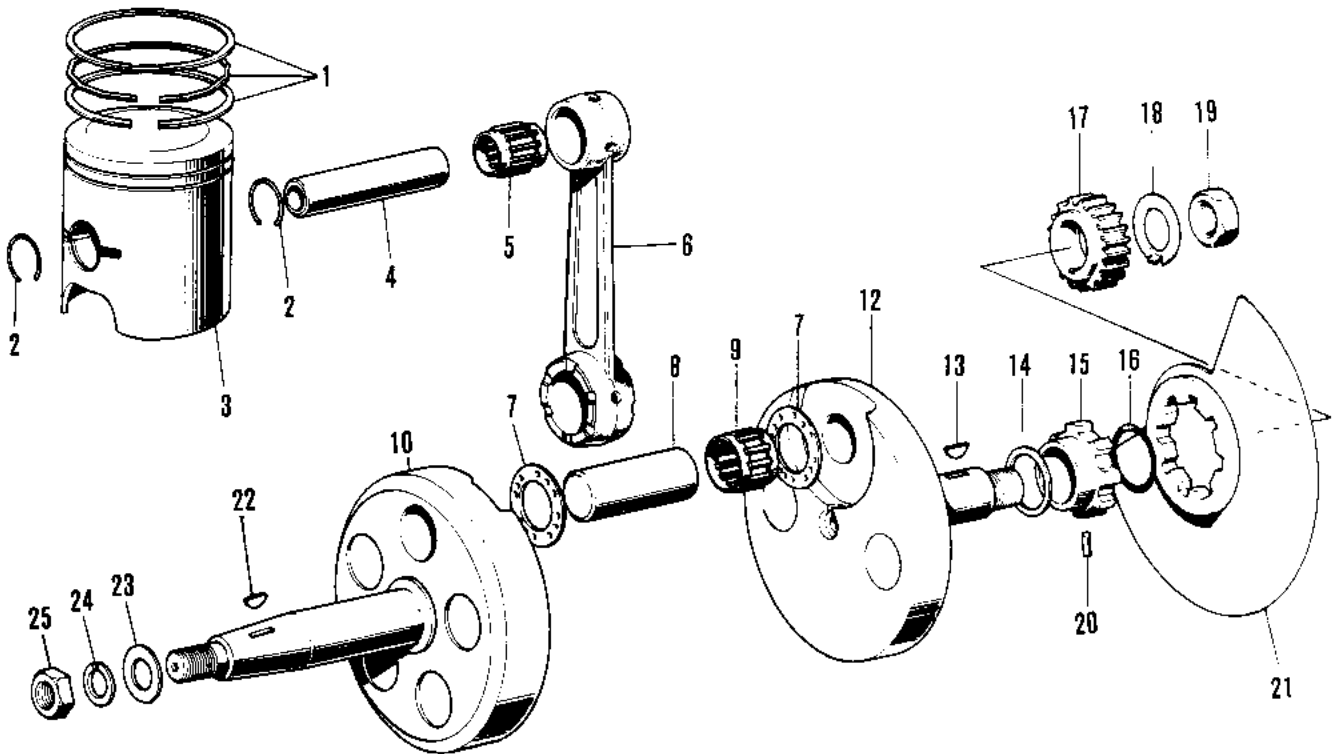


1973 F6-B PARTS DIAGRAM

CRANKSHAFT/PISTON/ROTARY VALVE



1973 F6-B PARTS LIST

CRANKSHAFT/PISTON/ROTARY VALVE

ITEM NAME	PART NUMBER	QUANTITY
RING SET,STD (Ref # 1)	13008-028	
RING SET,0.020' O.S (Ref # 1)	13025-033	
RING SET,0.040'O.S (Ref # 1)	13024-036	
CIRCLIP PISTON PIN (Ref # 2)	92036-003	
PISTON,STD (Ref # 3)	13001-045	
PISTON,0.020' O.S (Ref # 3)	13029-049	
PISTON,0.040' O.S (Ref # 3)	13027-047	
PIN-PISTON (Ref # 4)	13002-005	
BRG,N,UR14/20AP-1 (Ref # 5)	13033-035	
CONNECTING ROD SET (Ref # 6-9)	13044-039	
CRANK - CONROD ASSY (Ref # 6-12)	13036-028	
WASHER SIDE (Ref # 7)	92026-011	
CRANK PIN (Ref # 8)	13035-022	
BEARING,BIG END (Ref # 9)	13034-042	
CRANKSHAFT L.H (Ref # 10)	13037-040	
CRANKSHAFT,R.H (Ref # 12)	13038-034	
WOODRUFF KEY PRY PINI (Ref # 13)	92038-003	
COLLAR-CRANKSHAFT (Ref # 14)	92027-118	
COLLAR-R.H CRNK SHT (Ref # 15)	92027-100	
"0" RING,22MM (Ref # 16)	92055-018	
PINION,PRIMARY (Ref # 17)	13121-027	
WASHER,LOCK,18MM (Ref # 18)	92024-067	
NUT 18MM (Ref # 19)	92015-019	
PIN DOWEL 4X12 (Ref # 20)	610A0412	
VALVE-ROTARY DISC (Ref # 21)	12002-022	
WOODRUFF KEY (Ref # 22)	510A3200	
WASHER-PLN,10X22X3.2 (Ref # 23)	92022-176	
WASHER SPRING 10MM (Ref # 24)	461F1000	
NUT,10MM (Ref # 25)	314B1000	