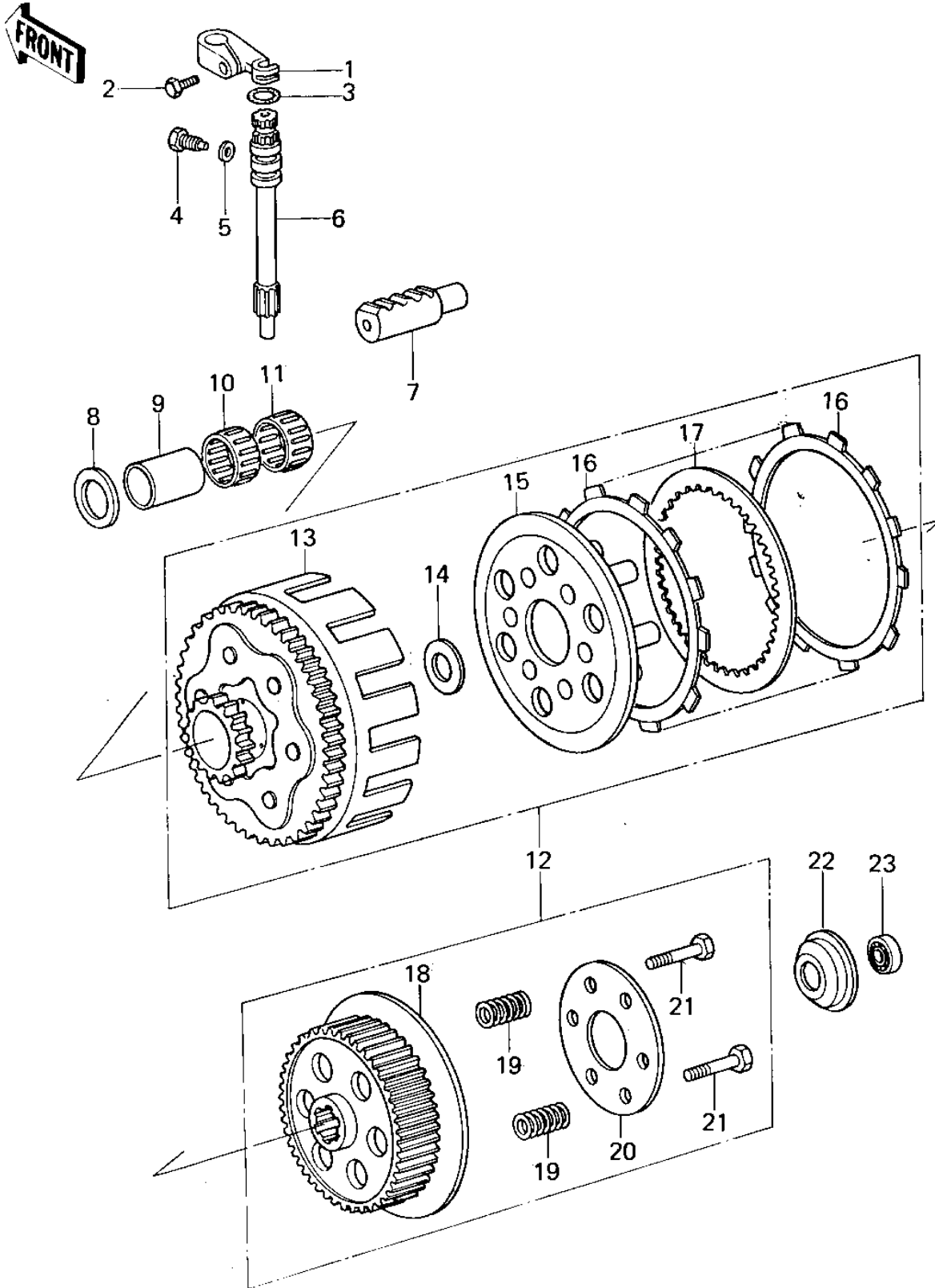


# 1978 KX125-A4 PARTS DIAGRAM

CLUTCH (78-'79 KX125-A4/A5)



# 1978 KX125-A4 PARTS LIST

CLUTCH ('78-'79 KX125-A4/A5)

ITEM NAME	PART NUMBER	QUANTITY
LEVER,CLUTCH RELEASE (Ref # 1)	13168-1010	1
BOLT-UPSET (Ref # 2)	112G0618	1
"O" RING, 10MM (Ref # 3)	670B2010	1
BOLT,CLUTCH RELEASE (Ref # 4)	92003-130	1
GASKET,R.H ENG COVER (Ref # 5)	92065-092	1
SHAFT,CLUTCH RELEASE (Ref # 6)	13106-1001	1
ROD,CLUTCH PUSH (Ref # 7)	13116-025	1
WASHER,PLAIN (Ref # 8)	92022-270	1
BUSHING,CLUTCH (Ref # 9)	92028-1018	1
BEARING,NEEDLE (Ref # 10)	92046-1004	1
BRG,N,KT222613-C3 (Ref # 11)	92046-1005	1
CLUTCH-ASSY (Ref # 12)	13081-1011	1
HOUSING,CLUTCH (Ref # 13)	13095-1007	1
WASHER,PLAIN (Ref # 14)	92022-270	1
WHEEL,CLUTCH (Ref # 15)	13086-1001	1
PLATE-FRICTION (Ref # 16)	13088-1015	6
PLATE,CLUTCH STEEL (Ref # 17)	13089-1002	5
HUB,CLUTCH (Ref # 18)	13087-1002	1
SPRING,CLUTCH (Ref # 19)	92081-123	6
HOLDER,CLUTCH (Ref # 20)	13091-1011	1
BOLT,5X18 (Ref # 21)	92003-078	6
HOLDER,CLUTCH PUSHER (Ref # 22)	13091-1071	1
BEARING,BALL (Ref # 23)	92045-1005	1