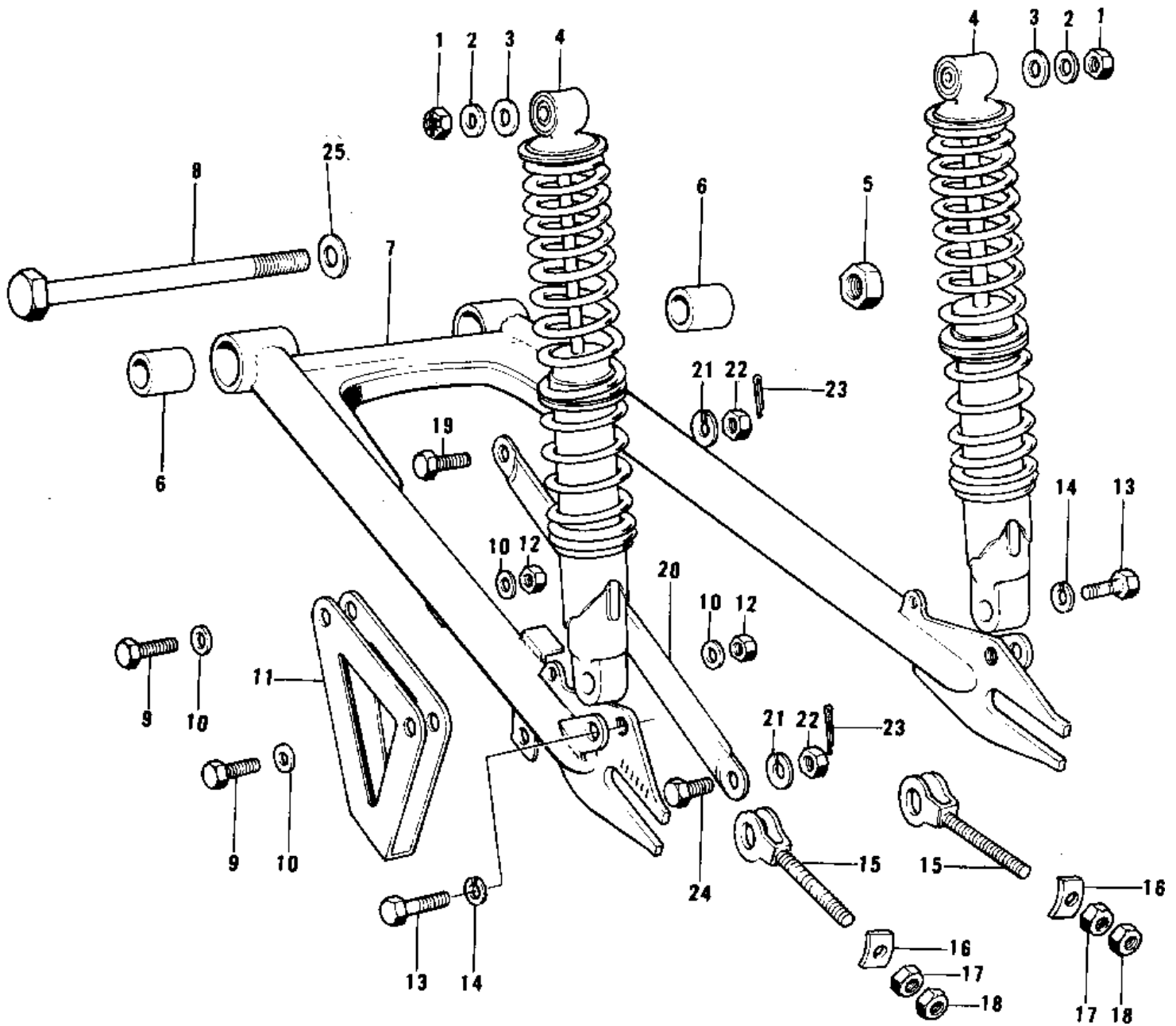


1974 KX125 PARTS DIAGRAM

SWING ARM/SHOCK ABSORBERS ('74-'76 KX125)



1974 KX125 PARTS LIST

SWING ARM/SHOCK ABSORBERS ('74-'76 KX125)

| ITEM NAME | PART NUMBER | QUANTITY |
|---------------------------------|-------------|----------|
| NUT,10MM (Ref # 1) | 92019-016 | 1 |
| WASHER-PL-10.5X26X2.3 (Ref # 2) | 92022-044 | 1 |
| WASHER PLAIN 12MM (Ref # 3) | 410B1200 | 2 |
| SHOCK ABSBR RR (Ref # 4) | 45014-099 | 1 |
| NUT,12MM (Ref # 5) | 92019-017 | 1 |
| BUSHING,SWING ARM (Ref # 6) | 33033-012 | 1 |
| SWING ARM (Ref # 7) | 33001-072 | 1 |
| SHAFT-SWING ARM PIVOT (Ref # 8) | 33032-034 | 1 |
| BOLT-UPSET (Ref # 9) | 112G0645 | 1 |
| WASHER 6.5X20X1.6T (Ref # 10) | 92022-125 | 1 |
| GUARD,CHAIN (Ref # 11) | 55020-015 | 1 |
| NUT,6MM (Ref # 12) | 92019-019 | 1 |
| BOLT HEX HEAD 10X35 (Ref # 13) | 113N1035 | 1 |
| WASHER SPRING 10MM (Ref # 14) | 461F1000 | 1 |
| ADJUSTER,CHAIN (Ref # 15) | 33040-057 | 1 |
| PLATE-CHAIN ADJUSTER (Ref # 16) | 33041-002 | 1 |
| NUT,8MM (Ref # 17) | 311B0800 | 1 |
| NUT,8MM (Ref # 18) | 92019-018 | 1 |
| BOLT,HEX HEAD,AX24 (Ref # 19) | 92003-143 | 1 |
| TORQUE LINK,REAR BRK (Ref # 20) | 43007-039 | 1 |
| WASHER SPRING 8MM (Ref # 21) | 461F0800 | 1 |
| NUT,8MM (Ref # 22) | 320B0800 | 1 |
| PIN COTTER 2.0X20 (Ref # 23) | 550D2020 | 1 |
| BOLT,RR TORQUE LINK (Ref # 24) | 92003-144 | 1 |