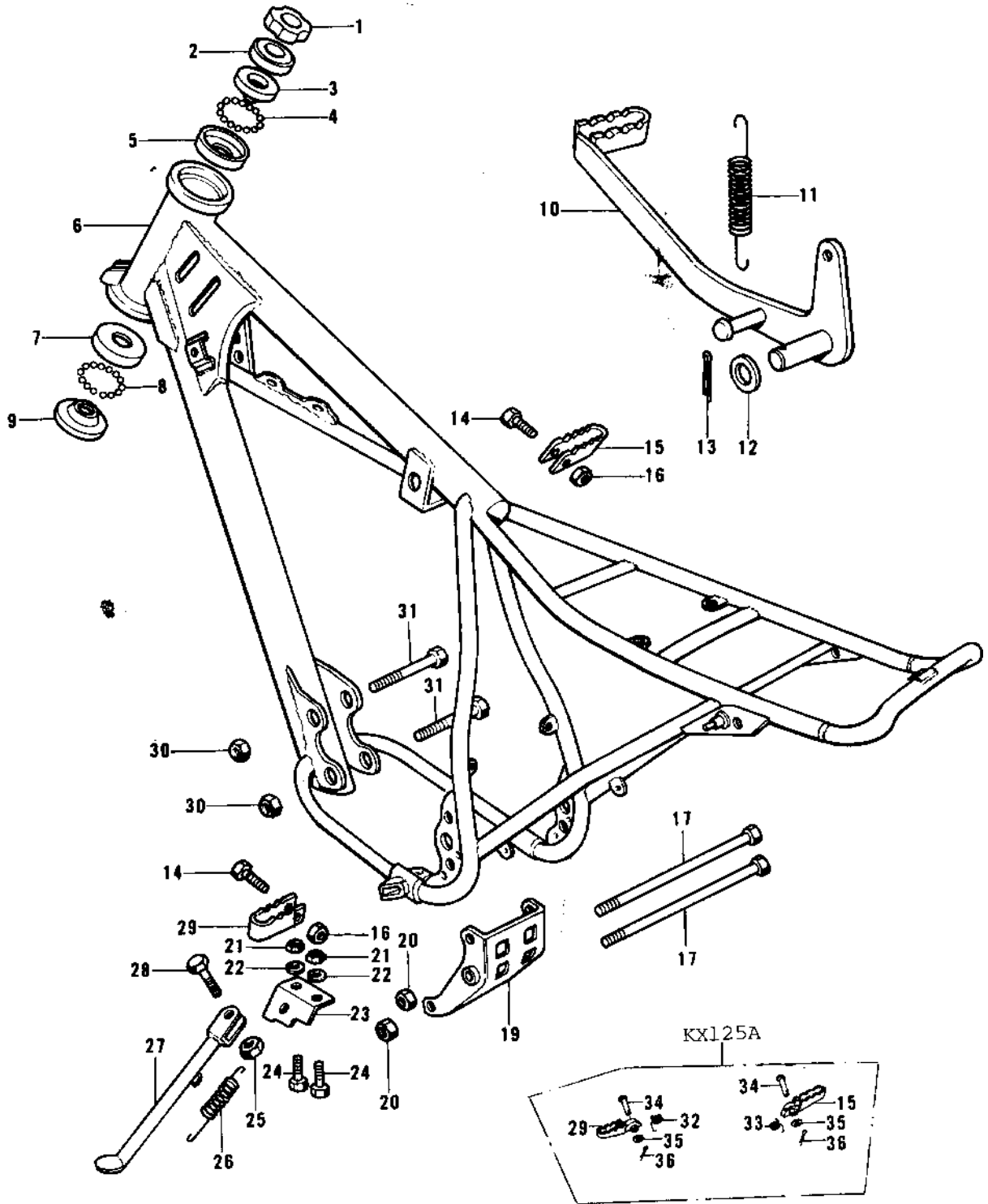


# 1974 KX125 PARTS DIAGRAM

## FRAME/FRAME FITTINGS



# 1974 KX125 PARTS LIST

## FRAME/FRAME FITTINGS

ITEM NAME	PART NUMBER	QUANTITY
NUT,STEERING STEM (Ref # 1)	92090-022	1
CAP,STEERING STEM (Ref # 2)	46098-012	1
CONE,STRG STM BRG,UP (Ref # 3)	92047-014	1
BALL STEEL 3/16' (Ref # 4)	600A0600	23
RACE,STRG STM BEARING (Ref # 5)	92048-009	1
FRAME (Ref # 6)	32002-091	1
FRAME (Ref # 6)	32002-112	1
RACE STEERING BEARING (Ref # 7)	92048-005	1
BALL STEEL 1/4' (Ref # 8)	600A0800	19
CONE STERNG BERG LOW (Ref # 9)	92047-010	1
PEDAL,BRAKE (Ref # 10)	43001-063	1
SPRING,BRAKE PEDAL (Ref # 11)	43005-026	1
WASHER PLAIN 12MM (Ref # 12)	410B1200	1
PIN COTTER 2.5X20 (Ref # 13)	550D2520	1
BOLT,HEX HEAD,8X38 (Ref # 14)	110B0838	2
BAR,R.H FOOTREST (Ref # 15)	34028-018	1
BAR,FOOTREST,R.H (Ref # 15)	34028-026	1
NUT,8MM (Ref # 16)	92019-018	2
BOLT,HEX HEAD,10X125 (Ref # 17)	92001-1248	2
BRACKET,ENGINE (Ref # 19)	32117-007	1
NUT,10MM (Ref # 20)	92019-016	2
NUT 8MM (Ref # 21)	312B0800	2
WASHER SPRING 8MM (Ref # 22)	461F0800	2
BRACKET,SIDE STAND (Ref # 23)	34008-009	1
BOLT-SMALL-UPSET,8X22 (Ref # 24)	115B0822	2
NUT 10MM (Ref # 25)	315B1000	1
SPRING-SIDE STAND (Ref # 26)	34025-004	1
STAND-SIDE (Ref # 27)	34024-045	1
BOLT,10X28 (Ref # 28)	113G1028	1

# 1974 KX125 PARTS LIST

## FRAME/FRAME FITTINGS

ITEM NAME	PART NUMBER	QUANTITY
BAR,L.H FOOTREST (Ref # 29)	34028-017	1
BAR,FOOTREST,L.H (Ref # 29)	34028-025	1
NUT,8MM (Ref # 30)	92019-018	2
BOLT,HEX HEAD,8X65 (Ref # 31)	110B0865	2
SPRING,L.H,FOOTREST (Ref # 32)	92081-1254	1
SPRING,R.H,FOOTREST (Ref # 33)	92081-1255	1
PIN,FOOTREST BAR FIT (Ref # 34)	92043-115	2
WASHER PLAIN 8MM (Ref # 35)	410B0800	2
PIN,COTTER,2.5X15 (Ref # 36)	550D2515	2