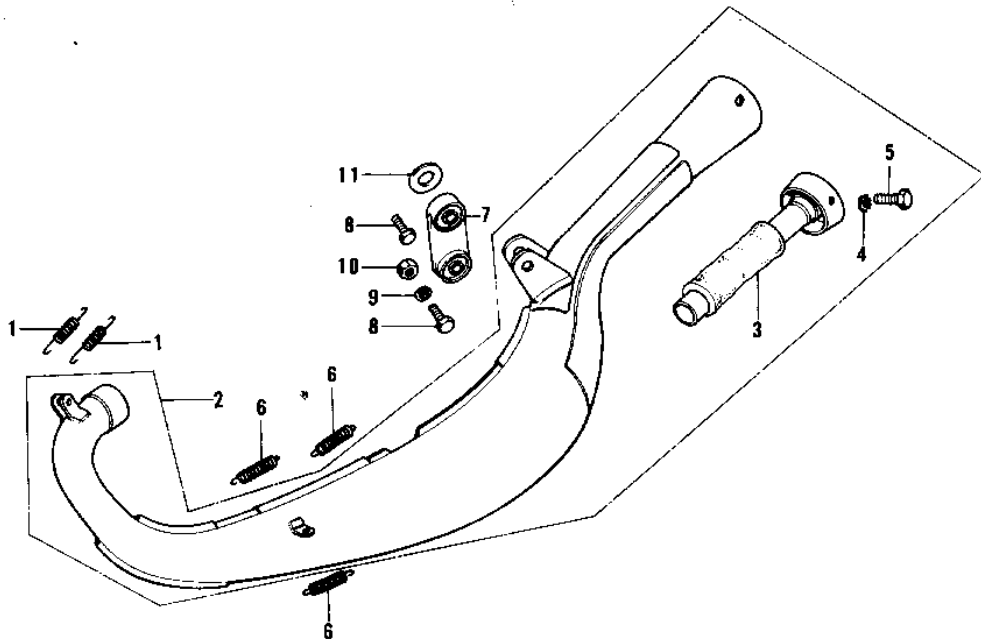
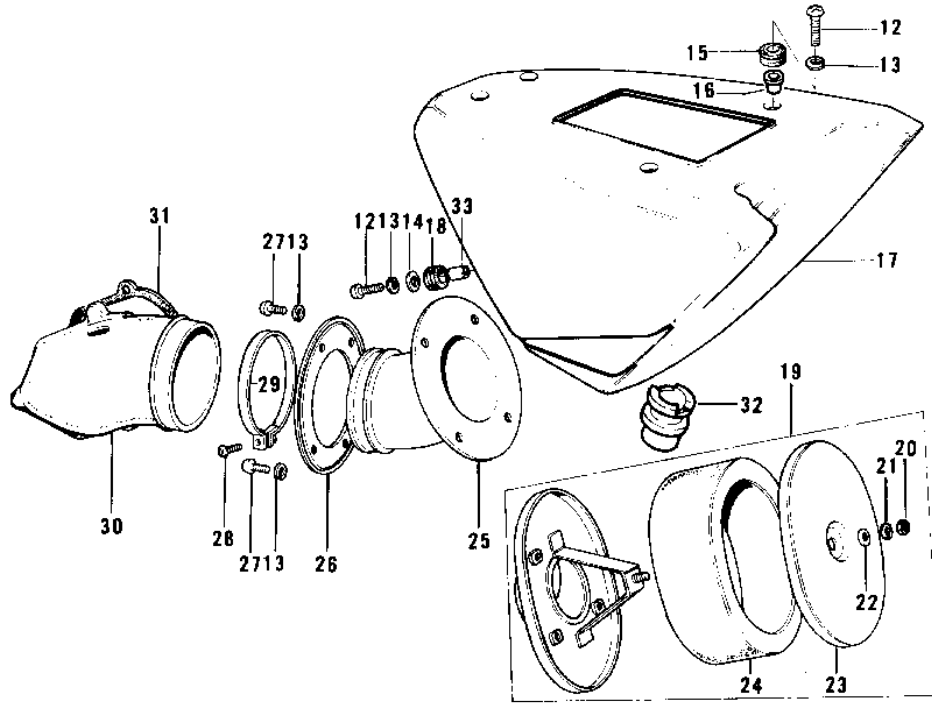


## 1974 KX125 PARTS DIAGRAM

AIR CLEANER/MUFFLER



## 1974 KX125 PARTS LIST

AIR CLEANER/MUFFLER

| ITEM NAME                      | PART NUMBER | QUANTITY |
|--------------------------------|-------------|----------|
| SPRING-CONNECTOR (Ref # 1)     | 18071-003   | 1        |
| MUFFLER ASSY (Ref # 2)         | 18002-117   | 1        |
| BAFFLE TUBE (Ref # 3)          | 18033-082   | 1        |
| WASHER LOCK 6MM (Ref # 4)      | 464H0600    | 1        |
| BOLT-UPSET,6X12 (Ref # 5)      | 112G0612    | 1        |
| SPRING,MUFFLER (Ref # 6)       | 18071-006   | 1        |
| BRACKET,MUFFLER (Ref # 7)      | 18024-022   | 1        |
| BOLT HEX HEAD 8X35 (Ref # 8)   | 110N0835    | 1        |
| WASHER SPRING 8MM (Ref # 9)    | 461F0800    | 1        |
| NUT,8MM (Ref # 10)             | 92019-018   | 1        |
| WASHER PLAIN 12MM (Ref # 11)   | 411B1200    | 1        |
| SCREW PAN HEAD 6X20 (Ref # 12) | 220B0620    | 1        |
| WASHER SPRING 6MM (Ref # 13)   | 461F0600    | 2        |
| WASHER PLAIN (Ref # 14)        | 92022-024   | 1        |
| DAMPER RUBBER (Ref # 15)       | 92075-076   | 1        |
| COLLAR (Ref # 16)              | 92027-194   | 1        |
| BODY,AIR CLEANER (Ref # 17)    | 11011-037   | 1        |
| DAMPER RUBBER (Ref # 18)       | 92075-107   | 1        |
| AIR CLEANER ASSY (Ref # 19)    | 11010-075   | 1        |
| NUT,6MM (Ref # 20)             | 92019-019   | 1        |
| WASHER PLAIN 6MM (Ref # 22)    | 411B0600    | 1        |
| CAP,AIR CLEANER (Ref # 23)     | 11012-035   | 1        |
| ELEMENT,AIR,CLNR (Ref # 24)    | 11013-041   | 1        |
| CONNECTOR (Ref # 25)           | 11026-011   | 1        |
| SCAP,CONNECTOR (Ref # 26)      | 11012-044   | 1        |
| SCREW PAN HEAD 6X16 (Ref # 27) | 220B0616    | 1        |
| SCREW PAN HEAD 5X35 (Ref # 28) | 220B0535    | 1        |
| SCREW PAN HEAD 5X40 (Ref # 28) | 220B0540A   | 1        |
| CLAMP (Ref # 29)               | 92037-106   | 1        |

## 1974 KX125 PARTS LIST

AIR CLEANER/MUFFLER

| ITEM NAME                        | PART NUMBER | QUANTITY |
|----------------------------------|-------------|----------|
| INLET PIPE (Ref # 30)            | 11015-044   | 1        |
| GASKET,INLET PIPE (Ref # 31)     | 11017-012   | 1        |
| PLUG,AIR CLEANER BODY (Ref # 32) | 92067-019   | 1        |
| COLLAR,6.8X10X8.5 (Ref # 33)     | 92027-129   | 1        |