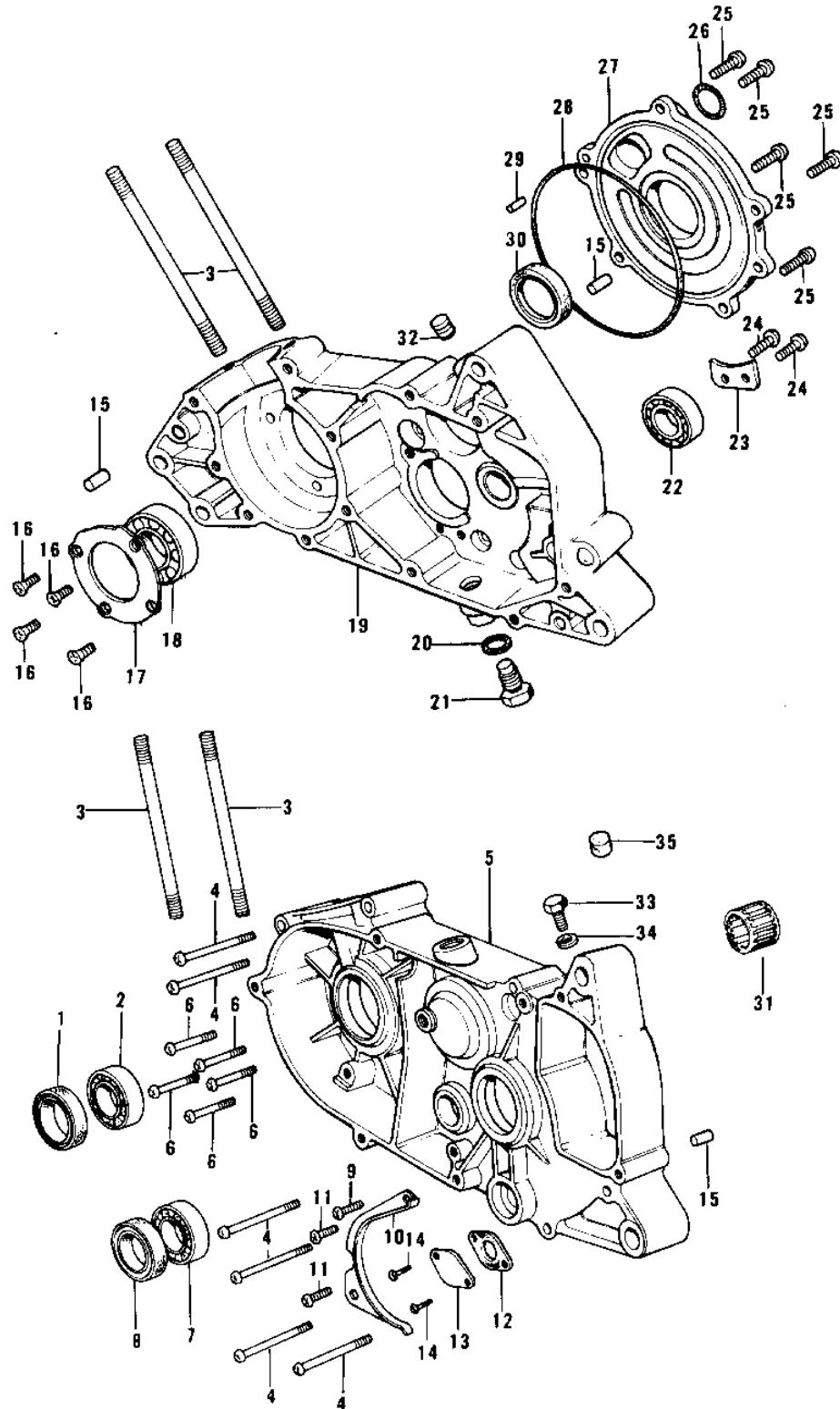


1974 KX125 PARTS DIAGRAM

CRANKCASE ('74-'76 KX125/A/A3)



1974 KX125 PARTS LIST

CRANKCASE ('74-'76 KX125/A/A3)

ITEM NAME	PART NUMBER	QUANTITY
SEAL-OIL (Ref # 1)	92049-1240	1
BEARING BALL #6204 (Ref # 2)	601B6204	1
STUD,8X70 (Ref # 3)	172G0870	1
SCREW PAN HEAD 6X60 (Ref # 4)	220B0660	1
SET-CRANKCASE,F.BLACK (Ref # 5)	14001-5149	1
SCREW PAN HEAD 6X40 (Ref # 6)	220B0640	1
BEARING BALL #6004 (Ref # 7)	601B6004	1
OIL SEAL SC25376 (Ref # 8)	92050-013	1
SCREW PAN HEAD 6X25 (Ref # 9)	220B0625	1
GUIDE,CHAIN (Ref # 10)	14077-003	1
SCREW PAN HEAD 6X12 (Ref # 11)	220B0612	2
GASKET,OIL PUMP (Ref # 12)	11060-1160	1
PLUG-OIL PUMP-HOLE (Ref # 13)	92084-004	1
SCREW PAN HEAD 5X10 (Ref # 14)	220B0510	1
PIN,DOWEL,10X8.2X14 (Ref # 15)	92043-1037	1
SCREW CNTSNK HD 6X16 (Ref # 16)	221B0616	1
PLATE,CRANK BEARING (Ref # 17)	14014-028	1
BEARING BALL #6304 (Ref # 18)	601B6304	1
CRANKCASE,R.H.,BLACK (Ref # 19)	14002-1040-21	1
GASKET-DRAIN PLUG (Ref # 20)	92065-073	1
PLUG (Ref # 21)	92066-1240	1
BEARING BALL #6203 (Ref # 22)	601B6203	1
PLATE,MISSION BERNG (Ref # 23)	14014-029	1
SCREW PAN HEAD 6X20 (Ref # 25)	220B0620	1
"O" RING,28MM (Ref # 26)	670B3028	1
COVER,ROTARY DISC VLV (Ref # 27)	14019-050	1
"O" RING,VALVE COVER (Ref # 28)	92055-057	1
PIN DOWEL 5X12 (Ref # 29)	610A0512	1
SEAL-OIL (Ref # 30)	92049-1250	1

1974 KX125 PARTS LIST

CRANKCASE ('74-'76 KX125/A/A3)

ITEM NAME	PART NUMBER	QUANTITY
BEARING,NEEDLE (Ref # 31)	92046-043	1
RUBBER PLUG (Ref # 32)	92074-035	1
BOLT SMALL (Ref # 33)	114G0812	1
WASHER PLAIN 8MM (Ref # 34)	410B0800	1
DAMPER RUBBER (Ref # 35)	92075-075	1