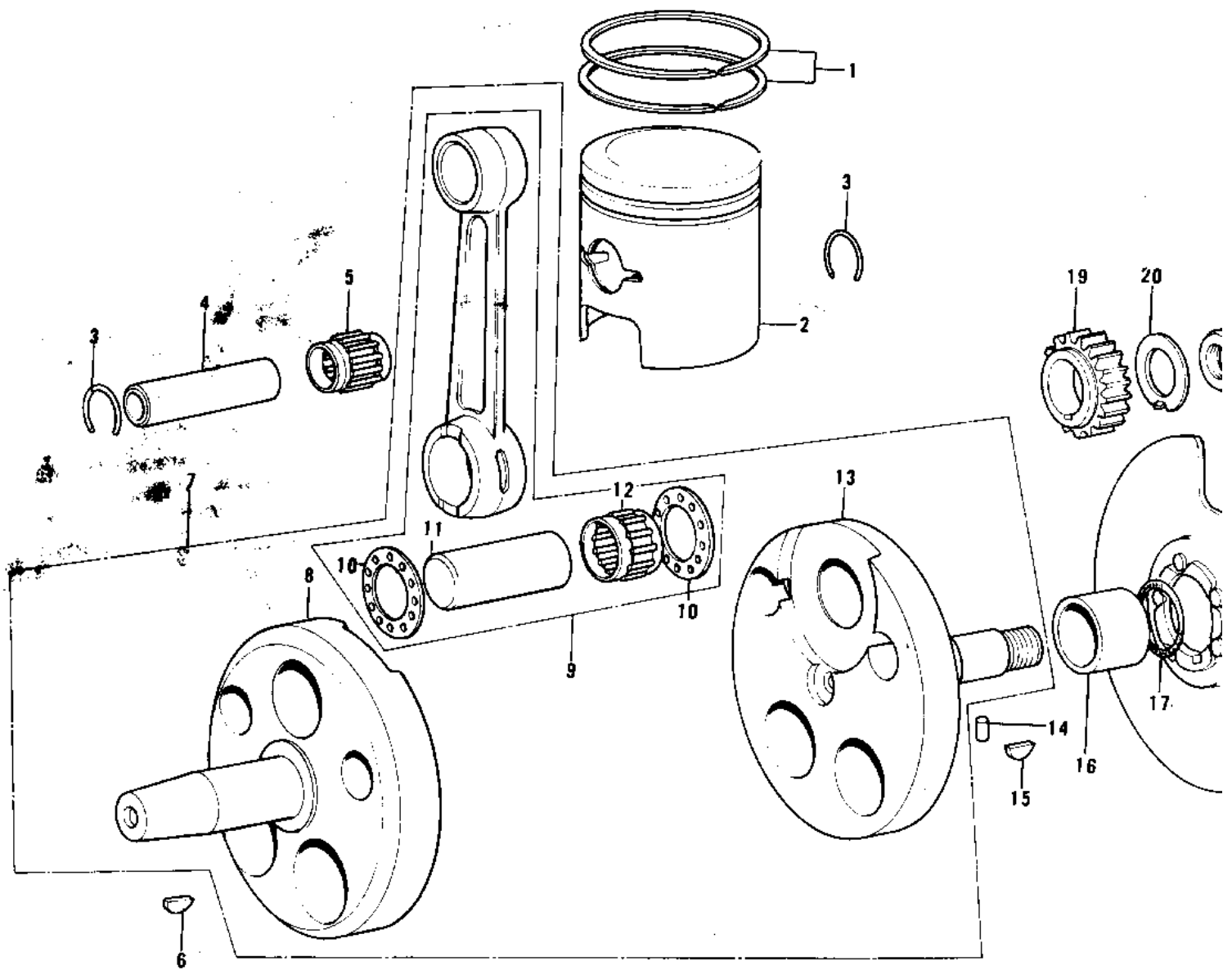


1974 KX125 PARTS DIAGRAM

CRANKSHAFT/PISTON/ROTARY VALVE



1974 KX125 PARTS LIST

CRANKSHAFT/PISTON/ROTARY VALVE

ITEM NAME	PART NUMBER	QUANTITY
RING SET,STD (Ref # 1)	13008-052	1
PISTON,STD (Ref # 2)	13001-068	1
CIRCLIP PISTON PIN (Ref # 3)	92036-003	1
PIN-PISTON (Ref # 4)	13002-1002	1
BRG,N,UR14/20AP-1 (Ref # 5)	13033-035	1
WOODRUFF KEY (Ref # 6)	92038-001	1
CRANKSHAFT ASSY (Ref # 7)	13036-047	1
CRANKSHAFT,L.H (Ref # 8)	13037-062	1
CONNECTING ROD SET (Ref # 9)	13044-036	1
WASHER SIDE (Ref # 10)	92025-005	1
CRANK PIN (Ref # 11)	13035-033	1
BRG,N,KT202715EGS01B (Ref # 12)	13034-041	1
CRANKSHAFT,R.H. (Ref # 13)	13037-1084	1
PIN DOWEL 4X10 (Ref # 14)	610A0410	1
WOODRUFF KEY PRY PINI (Ref # 15)	92038-003	1
COLLAR,R.H CRANKSHAFT (Ref # 16)	92027-220	1
"O" RING,16MM (Ref # 17)	670B2016	1
VALVE,ROTARY DISC (Ref # 18)	12001-024	1
GEAR,PRIMARY 22T (Ref # 19)	13097-1040	1
WASHER LOCK 12MM (Ref # 20)	92024-003	1
NUT 12MM (Ref # 21)	92015-006	1