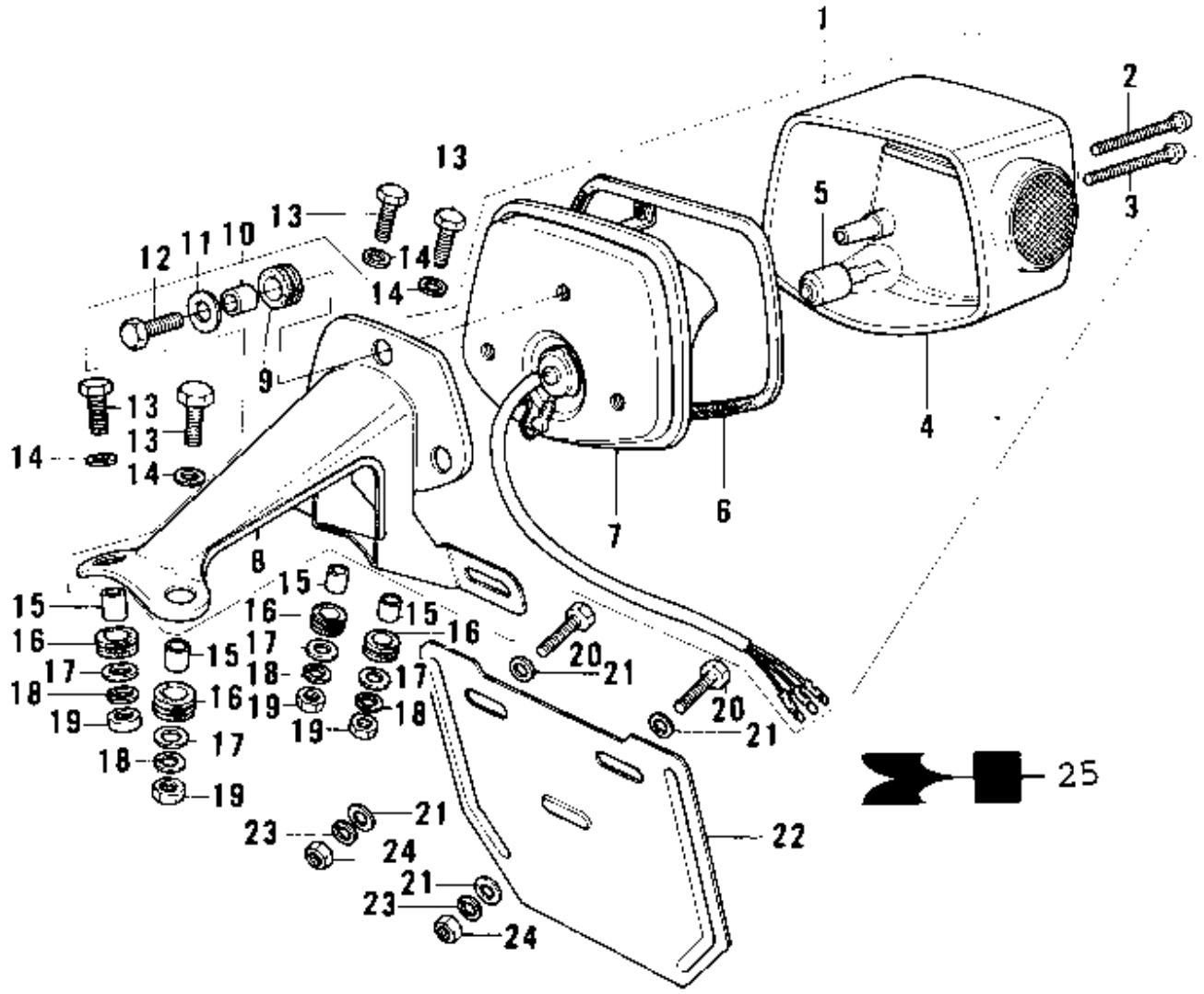


# 1976 KE125 PARTS DIAGRAM

TAILLIGHT ('76-'79)



# 1976 KE125 PARTS LIST

TAILLIGHT ('76-'79)

ITEM NAME	PART NUMBER	QUANTITY
LAMP ASSY, TAIL, BLACK (Ref # 1)	23024-048-21	1
SCREW (Ref # 2)	220R0455	1
SCREW PAN HEAD 4X50 (Ref # 3)	220E0450	2
LENS, TAIL LAMP (Ref # 4)	23026-028	1
BULB, 60-32/3CP (Ref # 5)	92069-074	1
GASKET, TAIL LAMP LENS (Ref # 6)	23028-019	1
BODY COMP TAIL LAMP (Ref # 7)	23027-1018	1
BKT, TAIL LAMP, BLACK (Ref # 8)	23036-037-21	1
DAMPER RUBBER (Ref # 9)	92075-076	3
COLLAR, 6.8X10X8.5 (Ref # 10)	92027-129	3
WASHER 6.5X20X1.6T (Ref # 11)	92022-125	3
BOLT-UPSET, 6X20 (Ref # 12)	112G0620	2
BOLT-UPSET (Ref # 13)	112G0630	4
WASHER 6.5X22X1.6T (Ref # 14)	92022-237	4
COLLAR 6.8X10X10.5 (Ref # 15)	92027-120	4
DAMPER RUBBER, RR FENR (Ref # 16)	92075-209	4
WASHER 6.5X20X1.6T (Ref # 17)	92022-125	4
WASHER SPRING 6MM (Ref # 18)	461F0600	4
NUT 6MM (Ref # 19)	311B0600	4
BOLT-UPSET, 6X20 (Ref # 20)	112G0620	2
WASHER PLAIN 6MM (Ref # 21)	410B0600	4
BRACKET, LICENSE PLATE (Ref # 22)	11034-1117	1
WASHER SPRING 6MM (Ref # 23)	461F0600	2
NUT 6MM (Ref # 24)	311B0600	2
EMBLEM, LICNSE PLT BKT (Ref # 25)	56018-176	1