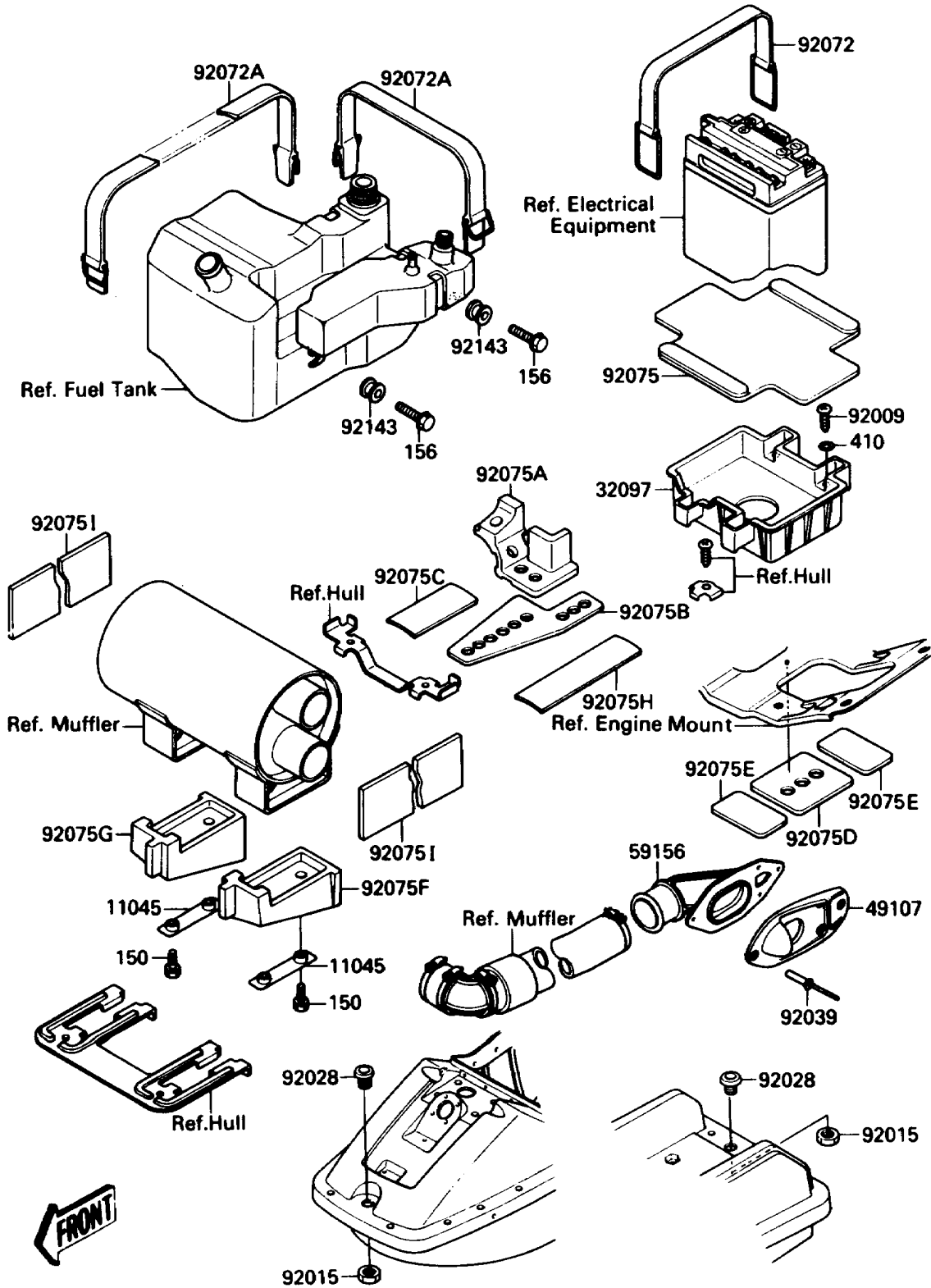


# 1988 650 SX PARTS DIAGRAM

## Hull Fittings

F3143-0X06



# 1988 650 SX PARTS LIST

## Hull Fittings

ITEM NAME	PART NUMBER	QUANTITY
BRACKET (Ref # 11045)	11045-3764	2
CASE-BATTERY (Ref # 32097)	32097-3702	1
COVER-EXHAUST PIPE (Ref # 49107)	49107-3705	1
PIPE-TAIL (Ref # 59156)	59156-3703	1
SCREW,TAPPING (Ref # 92009)	92011-561	4
NUT,20MM (Ref # 92015)	92015-3721	2
BUSHING,L=18 (Ref # 92028)	92028-3724	2
RIVET (Ref # 92039)	92039-3722	4
BAND,BATTERY,L=366 (Ref # 92072)	92072-3706	2
BAND,L=544 (Ref # 92072A)	92072-3709	2
DAMPER,BATTERY (Ref # 92075)	92075-3714	1
DAMPER,FUEL TANK,RR (Ref # 92075A)	92075-3754	1
DAMPER,FUEL TANK,CNT (Ref # 92075B)	92075-3755	1
DAMPER,FUEL TANK,RH (Ref # 92075C)	92075-3756	1
DAMPER (Ref # 92075D)	92075-3758	1
DAMPER (Ref # 92075E)	92075-3759	2
DAMPER (Ref # 92075F)	92075-3763	1
DAMPER (Ref # 92075G)	92075-3764	1
DAMPER,FUEL TANK (Ref # 92075H)	92075-521	1
DAMPER,MUFFLER (Ref # 92075I)	92075-522	2
COLLAR (Ref # 92143)	92143-3705	2
BOLT-WS,6X22 (Ref # 150)	150R0622	4
BOLT-WP,6X22 (Ref # 156)	156R0622	2
WASHER-PLAIN-SMALL,6MM (Ref # 410)	410S0600	4