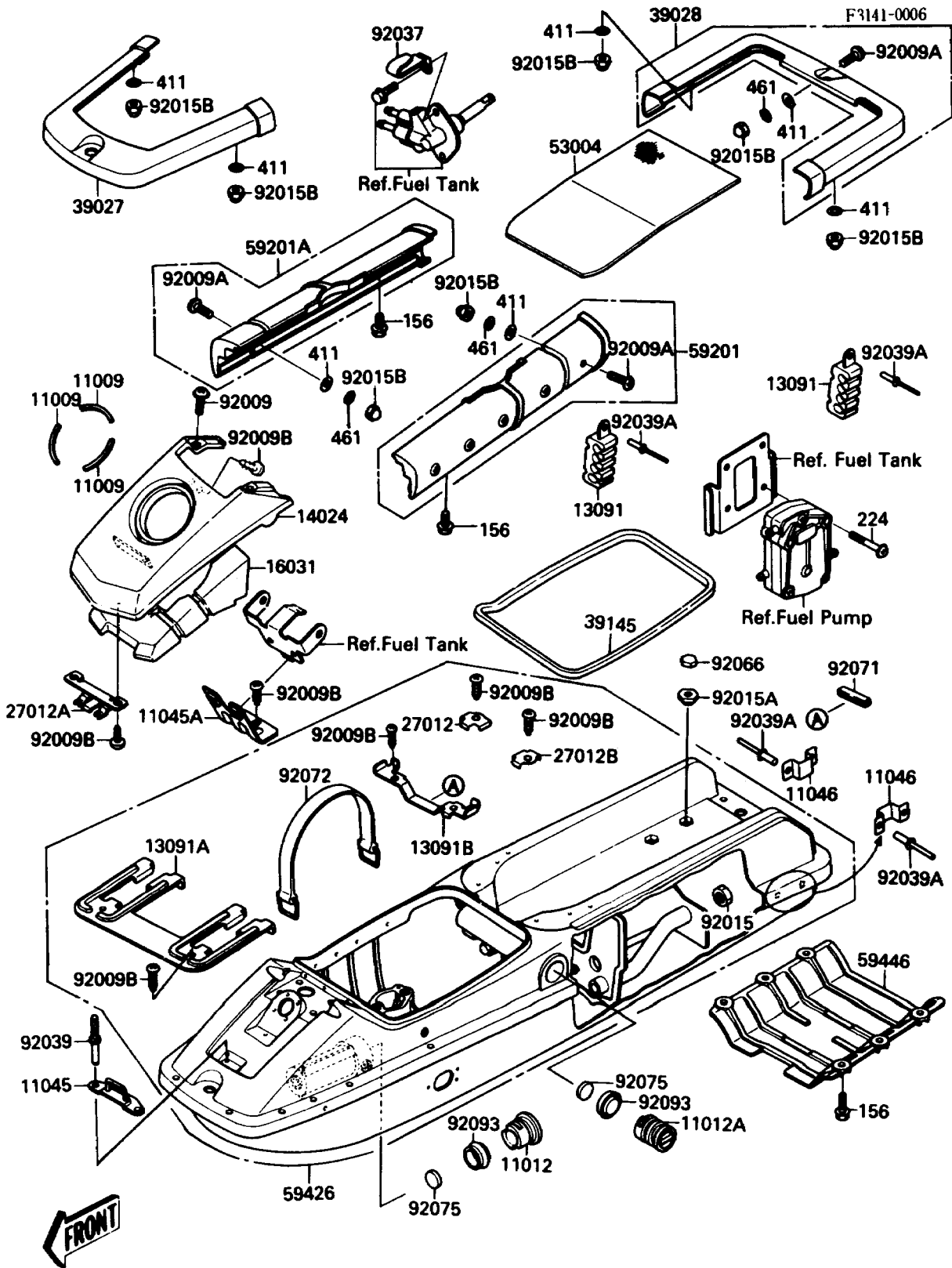


# 1988 650 SX PARTS DIAGRAM

Hull



# 1988 650 SX PARTS LIST

## Hull

ITEM NAME	PART NUMBER	QUANTITY
GASKET,CAP (Ref # 11009)	11009-3732	3
CAP (Ref # 11012)	11012-3708	1
CAP (Ref # 11012A)	11012-3714	1
BRACKET,FRONT DECK (Ref # 11045)	11045-3730	1
BRACKET,CENTER (Ref # 11045A)	11045-3731	1
BRACKET (Ref # 11046)	11046-3701	2
HOLDER (Ref # 13091)	13091-3715	3
HOLDER (Ref # 13091A)	13091-3722	1
HOLDER (Ref # 13091B)	13091-3725	1
COVER,TANK CAP,JET WHITE (Ref # 14024)	14024-3732-8C	1
FLOAT (Ref # 16031)	16031-3733	1
HOOK (Ref # 27012)	27012-3713	1
HOOK,FRONT DECK (Ref # 27012A)	27012-3715	1
HOOK (Ref # 27012B)	27012-501	1
BUMPER-FRONT (Ref # 39027)	39027-3703	1
BUMPER-REAR (Ref # 39028)	39028-3703	1
TRIM-SEAL (Ref # 39145)	39145-3706	1
MAT,DECK (Ref # 53004)	53004-3722	1
BUMPER,SIDE,LH (Ref # 59201)	59201-3714	1
BUMPER,SIDE,RH (Ref # 59201A)	59201-3715	1
HULL-COMP,JET WHITE (Ref # 59426)	59426-3720-8C	1
COVER-JET PUMP (Ref # 59446)	59446-3705	1
SCREW,5X16 (Ref # 92009)	92009-3726	2
SCREW,6X23.5 (Ref # 92009A)	92009-3742	13
SCREW,TAPPING (Ref # 92009B)	92011-561	11
NUT,20MM (Ref # 92015)	92015-3738	1
NUT,8MM (Ref # 92015A)	92015-3744	4
NUT,CAP,6MM (Ref # 92015B)	92015-3755	27
CLAMP,L=100 (Ref # 92037)	92037-3736	1

# 1988 650 SX PARTS LIST

## Hull

ITEM NAME	PART NUMBER	QUANTITY
RIVET (Ref # 92039)	92039-3702	2
RIVET (Ref # 92039A)	92039-3714	7
PLUG (Ref # 92066)	92066-3713	2
GROMMET (Ref # 92071)	92071-3755	1
BAND,L=384 (Ref # 92072)	92072-3713	2
DAMPER (Ref # 92075)	92075-3719	2
SEAL,OSR70X82X7.5 (Ref # 92093)	92093-3704	2
BOLT-WP,6X20 (Ref # 156)	156R0620	14
SCREW-PAN-WP-CROS,6X40 (Ref # 224)	224R0640	2
WASHER-PLAIN,6MM (Ref # 411)	411S0600	27
WASHER-SPRING,6MM (Ref # 461)	461S0600	13