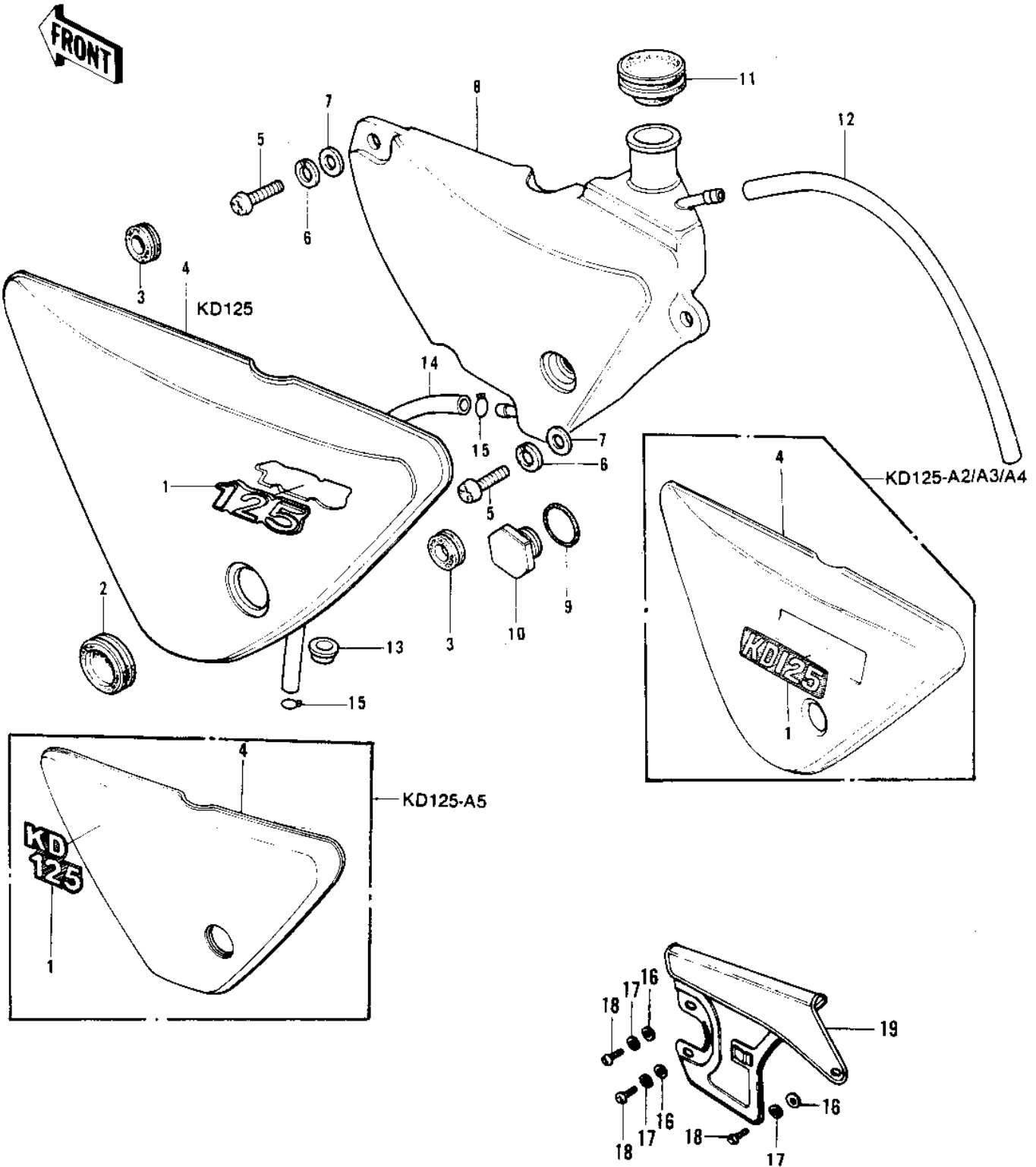


1979 KD125-A5 PARTS DIAGRAM

SIDE COVER/OIL TANK/CHAIN COVER



1979 KD125-A5 PARTS LIST

SIDE COVER/OIL TANK/CHAIN COVER

ITEM NAME	PART NUMBER	QUANTITY
EMBLEM-SIDE COVER (Ref # 1)	56018-199	
EMBLEM,SIDE COVER (Ref # 1)	56018-219	
MARK,SIDE COVER (Ref # 1)	56018-1050	
GROMMET,L.H SIDE COV (Ref # 2)	92071-080	
GROMMET-SIDE COVER (Ref # 3)	92071-058	
COVER,L.H SIDE,C.LIME (Ref # 4)	36001-044-1M	
COVER,L.H SIDE,F.BLK (Ref # 4)	36001-049-21	
COVER,L.H,SIDE BLACK (Ref # 4)	36001-1051-21	
SCREW PAN HEAD 6X14 (Ref # 5)	220B0614	
WASHER SPRING 6MM (Ref # 6)	461F0600	
WASHER 6.5X20X1.6T (Ref # 7)	92022-125	
TANK,OIL (Ref # 8)	52001-041	
"O" RING,20MM (Ref # 9)	92055-051	
GUAGE-OIL LEVEL (Ref # 10)	52015-002	
CAP-OIL TANK (Ref # 11)	51049-1004	
CAP-OIL TANK (Ref # 11)	51049-1004	
TUBE-VINYL,5X600 (Ref # 12)	700Q05600	
TUBE,VINYL,5X310 (Ref # 12)	700Q05310	
GROMMET,OIL PIPE (Ref # 13)	92071-085	
PIPE,OIL (Ref # 14)	92059-106	
CLAMP FUEL PIPE (Ref # 15)	92037-010	
WASHER PLAIN (Ref # 16)	92022-024	
WASHER SPRING 6MM (Ref # 17)	461F0600	
SCREW PAN HEAD 6X14 (Ref # 18)	220B0614	
CASE-CHAIN,FR BLACK (Ref # 19)	36014-051-21	