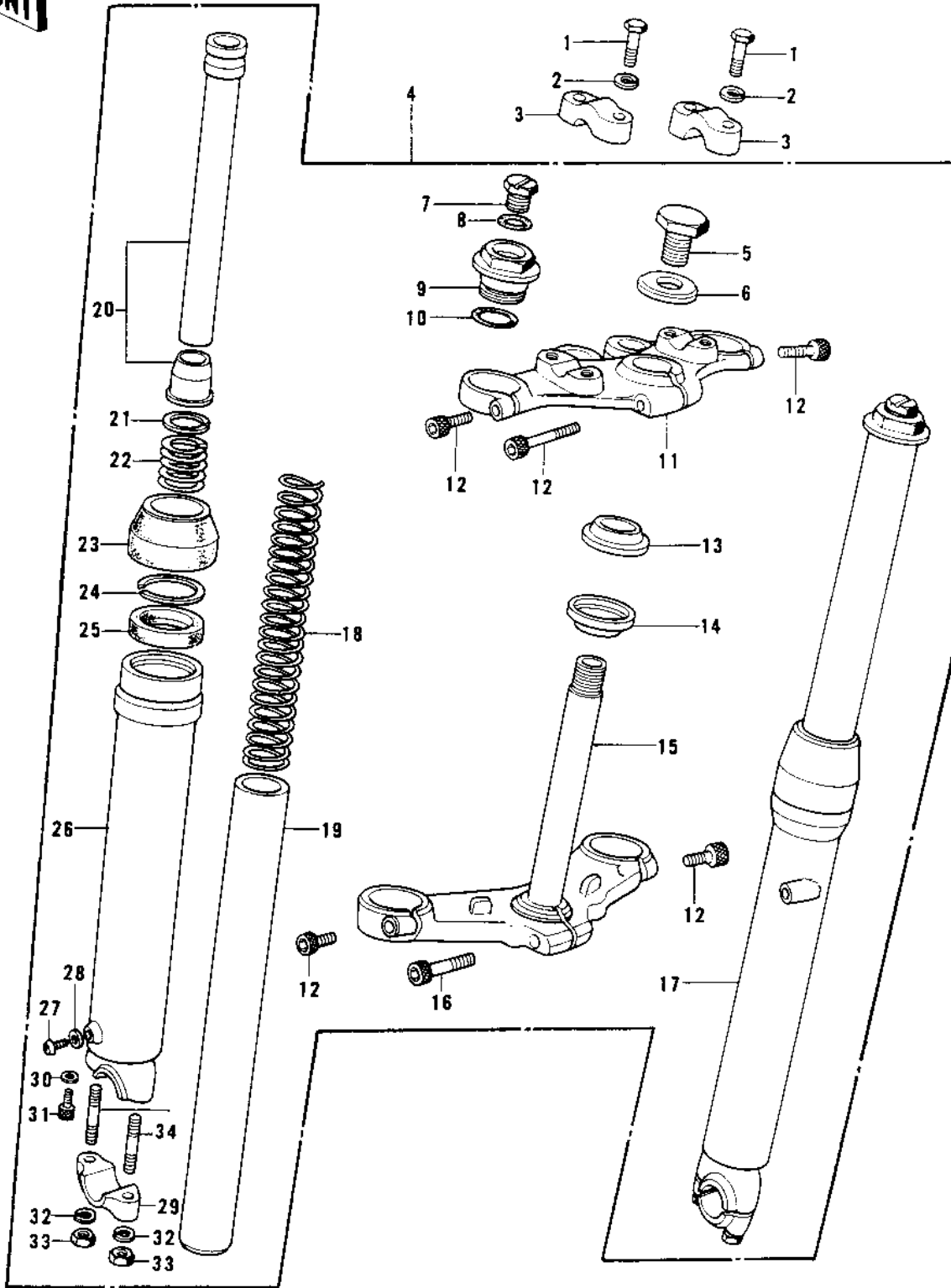


# 1975 KD125 PARTS DIAGRAM

FRONT FORK



# 1975 KD125 PARTS LIST

## FRONT FORK

ITEM NAME	PART NUMBER	QUANTITY
BOLT 8X38 (Ref # 1)	92001-1405	
WASHER SPRING 8MM (Ref # 2)	461F0800	
HOLDER,HANDLEBAR (Ref # 3)	46012-013	
HOLDER,HANDLEBAR (Ref # 3)	46012-014	
FORK-FRONT (Ref # 4)	44001-155	
BOLT,STEERING STEM (Ref # 5)	44041-072	
WASHER,STEERING STEM (Ref # 6)	44043-056	
BOLT,HEX HEAD,12MM (Ref # 7)	44041-069	
O RING (Ref # 8)	44045-048	
BOLT,FORK TOP (Ref # 9)	44032-011	
"O" RING,FORK TOP (Ref # 10)	44046-021	
HEAD,STEERING STEM (Ref # 11)	44039-070	
BOLT,HEX HEAD,8X34 (Ref # 12)	44041-070	
CONE STERNG BERG LOW (Ref # 13)	92047-010	
SEAL,STEERING STEM (Ref # 14)	44010-027	
STEM,STEERING,GMN (Ref # 15)	44037-1030	
BOLT,SPECIAL 10X42 (Ref # 16)	44041-073	
TUBE,RH,FORK OUTER (Ref # 17)	44006-1045	
SPRING,FORK (Ref # 18)	44026-053	
TUBE,FORK INNER (Ref # 19)	44013-047	
CYLINDER-FORK (Ref # 20)	44022-018	
CYLINDER-FORK (Ref # 20)	44022-033	
RING (Ref # 21)	44025-002	
SPRING,FORK CYLINDER (Ref # 22)	44026-054	
DUST SHIELD,FORK (Ref # 23)	44010-026	
CIRCLIP,45MM (Ref # 24)	481J4500	
CIRCLIP,45MM (Ref # 24)	44044-020	
OIL SEAL,FORK (Ref # 25)	44009-018	
TUBE,LH,FORK OUTER (Ref # 26)	44005-1045	

# 1975 KD125 PARTS LIST

## FRONT FORK

ITEM NAME	PART NUMBER	QUANTITY
BOLT-UPSET,6X8 (Ref # 27)	112B0608	
GASKET,DRAIN PLUG (Ref # 28)	44045-047	
HOLDER,FRONT AXLE (Ref # 29)	44063-009	
GASKET,FORK CYL BOLT (Ref # 30)	44045-051	
BOLT,FORK CYLINDER (Ref # 31)	44041-078	
WASHER SPRING 8MM (Ref # 32)	461F0800	
NUT,8MM (Ref # 33)	312G0800	
NUT,LOCK,8MM (Ref # 33)	92015-1124	
STUD,8X35 (Ref # 34)	92004-1009	
STUD,8X35 (Ref # 34)	92004-1009	