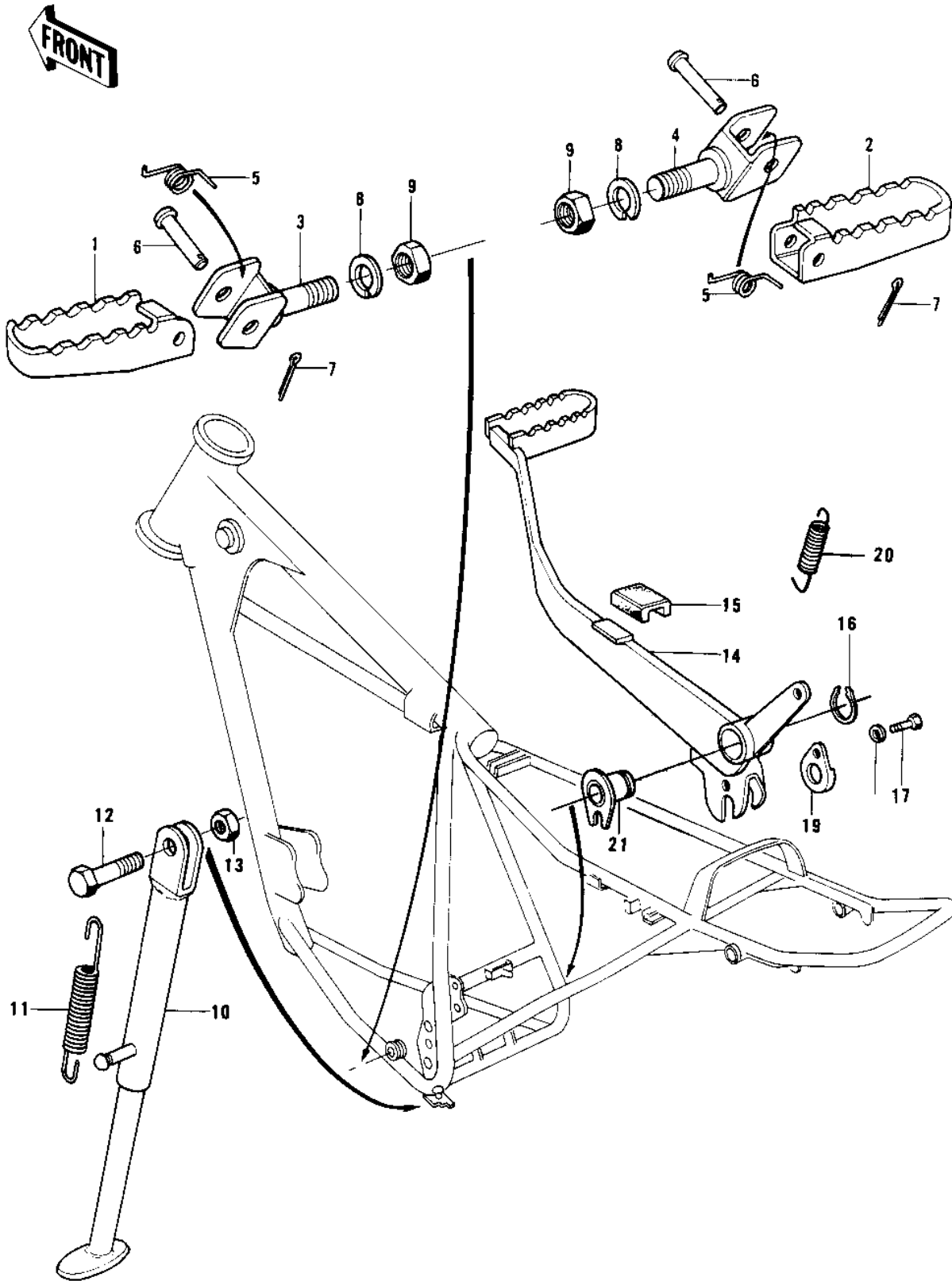


1976 KD125-A2 PARTS DIAGRAM

FOOTRESTS/STAND/BRAKE PEDAL



1976 KD125-A2 PARTS LIST

FOOTRESTS/STAND/BRAKE PEDAL

ITEM NAME	PART NUMBER	QUANTITY
BAR,L.H FOOTREST (Ref # 1)	34028-024	1
BAR,R.H FOOTREST (Ref # 2)	34028-023	1
BRACKET,FOTRST BAR,LH (Ref # 3)	34003-051	1
BRACKET,FOTRST BAR,RH (Ref # 4)	34003-052	1
SPRING,FOOTRESTBAR (Ref # 5)	92083-027	2
PIN-FOOTREST BAR FIT (Ref # 6)	92043-080	2
PIN,COTTER,2.5X15 (Ref # 7)	550D2515	2
WASHER SPRING 14MM (Ref # 8)	461F1400	2
NUT,14MM (Ref # 9)	314B1400	2
STAND-SIDE (Ref # 10)	34024-1043	1
SPRING,SIDE STAND (Ref # 11)	34025-008	1
BOLT,HEX HEAD 10X35 (Ref # 12)	92001-1252	1
NUT,10MM (Ref # 13)	314B1000	1
PEDAL,BRAKE (Ref # 14)	43001-058	1
DAMPER RUBBER,BK PDL (Ref # 15)	92075-220	1
CIRCLIP,22MM (Ref # 16)	480J2200	1
SCREW PAN HEAD 5X8 (Ref # 17)	220B0508	1
WASHER SPRING 6MM (Ref # 18)	461F0600	1
PLATE (Ref # 19)	43081-002	1
SPRING BRAKE PEDAL (Ref # 20)	43005-032	1
COLLAR,BRAKE PEDAL (Ref # 21)	92027-210	1