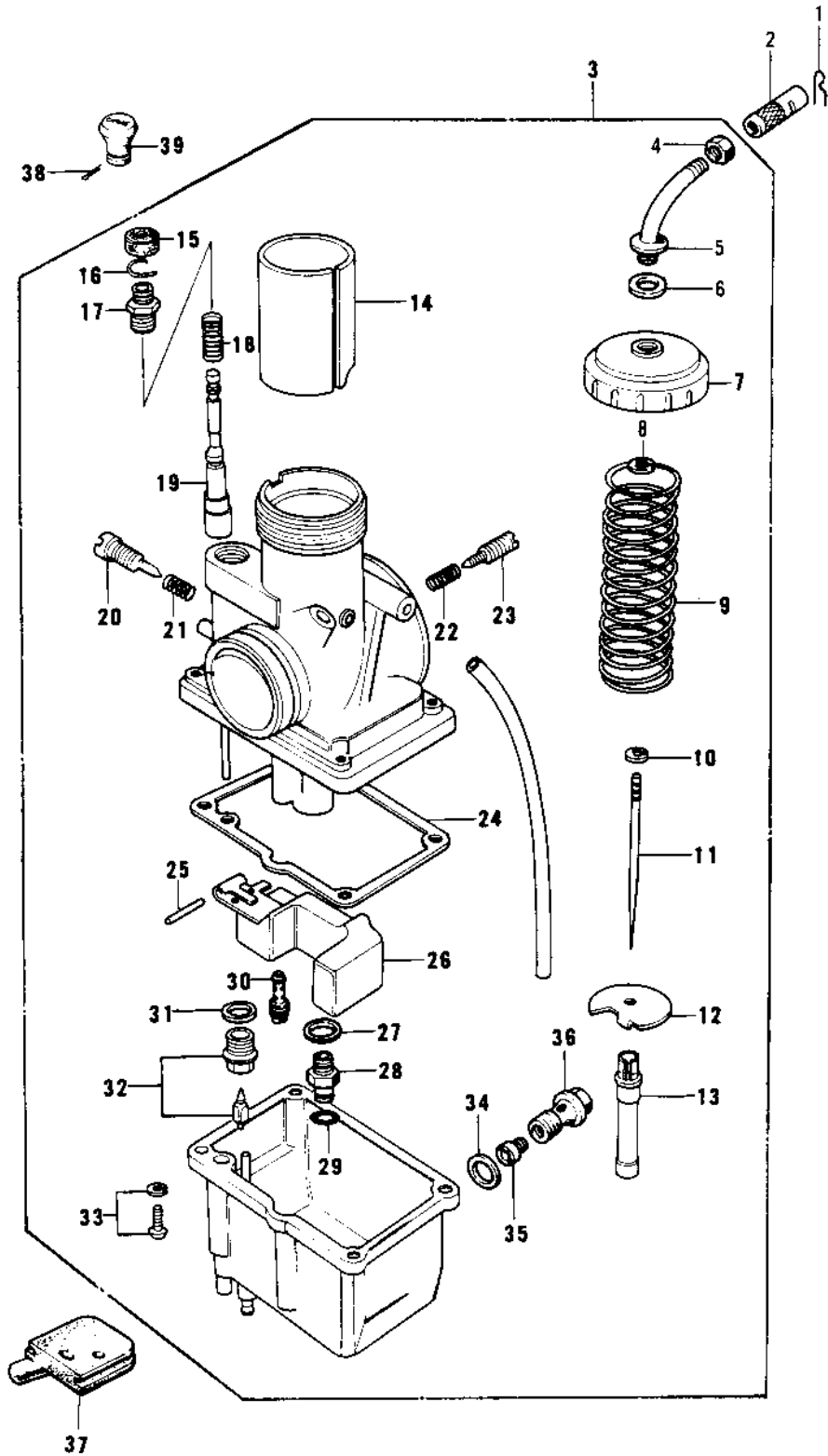


1978 KD125-A4 PARTS DIAGRAM

CARBURETOR



1978 KD125-A4 PARTS LIST

CARBURETOR

| ITEM NAME | PART NUMBER | QUANTITY |
|----------------------------------|-------------|----------|
| CIRCLIP (Ref # 1) | 92036-018 | |
| CABLE ADJUSTER (Ref # 2) | 16002-007 | |
| CARBURETOR ASSY (Ref # 3) | 16001-225 | |
| NUT CABLE ADJUST LOCK (Ref # 4) | 16003-004 | |
| GUIDE,CABLE (Ref # 5) | 16077-011 | |
| GASKET,CABLE GUIDE (Ref # 6) | 16029-007 | |
| CAP,MIXING CHAMBER (Ref # 7) | 16004-024 | |
| CIRCLIP,CABLE GUIDE (Ref # 8) | 16008-011 | |
| SPRING,THROTTLE VALVE (Ref # 9) | 16006-029 | |
| CIRCLIP (Ref # 10) | 16008-010 | |
| JET NEEDLE 4EJ3 (Ref # 11) | 16009-040 | |
| SPRING SEAT,THRTL VLV (Ref # 12) | 16007-025 | |
| NEEDLE JET,O-4 (Ref # 13) | 16017-085 | |
| VALVE,THROTTLE (Ref # 14) | 16025-079 | |
| CAP,STARTER PLUNGER (Ref # 15) | 16036-012 | |
| CIRCLIP (Ref # 16) | 92037-1077 | |
| CAP STARTER PLUNGER (Ref # 17) | 16012-010 | |
| CAP,STARTER PLUNGER (Ref # 17) | 16012-021 | |
| SPRING,STARTER PLUNGR (Ref # 18) | 16013-010 | |
| PLUNGER,STARTER (Ref # 19) | 16016-018 | |
| SCREW,THROTTLE STOP (Ref # 20) | 16021-023 | |
| SPRING THR STOP SCREW (Ref # 21) | 16022-005 | |
| SPRING-THR STOP SCREW (Ref # 22) | 16022-007 | |
| SCREW PILOT AIR ADJST (Ref # 23) | 16014-002 | |
| GASKET,FLOAT CHAMBER (Ref # 24) | 16019-023 | |
| FLOAT PIN (Ref # 25) | 16032-006 | |
| FLOAT (Ref # 26) | 16031-026 | |
| WASHER MAIN JET (Ref # 27) | 16034-001 | |
| HOLDER-NEEDLE JET (Ref # 28) | 16065-008 | |

1978 KD125-A4 PARTS LIST

CARBURETOR

| ITEM NAME | PART NUMBER | QUANTITY |
|----------------------------------|-------------|----------|
| "0" RING (Ref # 29) | 92055-044 | |
| JET-PILOT NO 30 (Ref # 30) | 92064-022 | |
| WASHER FLOAT VLV SEAT (Ref # 31) | 16029-004 | |
| FLOAT VALVE ASSY (Ref # 32) | 16030-024 | |
| SCREW-PAN-WS-CROS (Ref # 33) | 223B0414 | |
| GASKET-BANJO BOLT (Ref # 34) | 16034-005 | |
| MAIN JET,#A100 (Ref # 35) | 92063-1033 | |
| MAIN JET,#A95 (Ref # 35) | 92063-1031 | |
| MAIN JET,#A97.5R (Ref # 35) | 92063-1035 | |
| MAIN JET,#A102.5 (Ref # 35) | 92063-1028 | |
| MAIN JET,#A105R (Ref # 35) | 92063-1042 | |
| BOLT-BANJO (Ref # 36) | 92001-097 | |
| GROMMET,OVERFLOW (Ref # 37) | 16136-009 | |
| PIN COTTER 1.6X15 (Ref # 38) | 550D1615 | |
| KNOB,CARBURETOR (Ref # 39) | 92077-022 | |