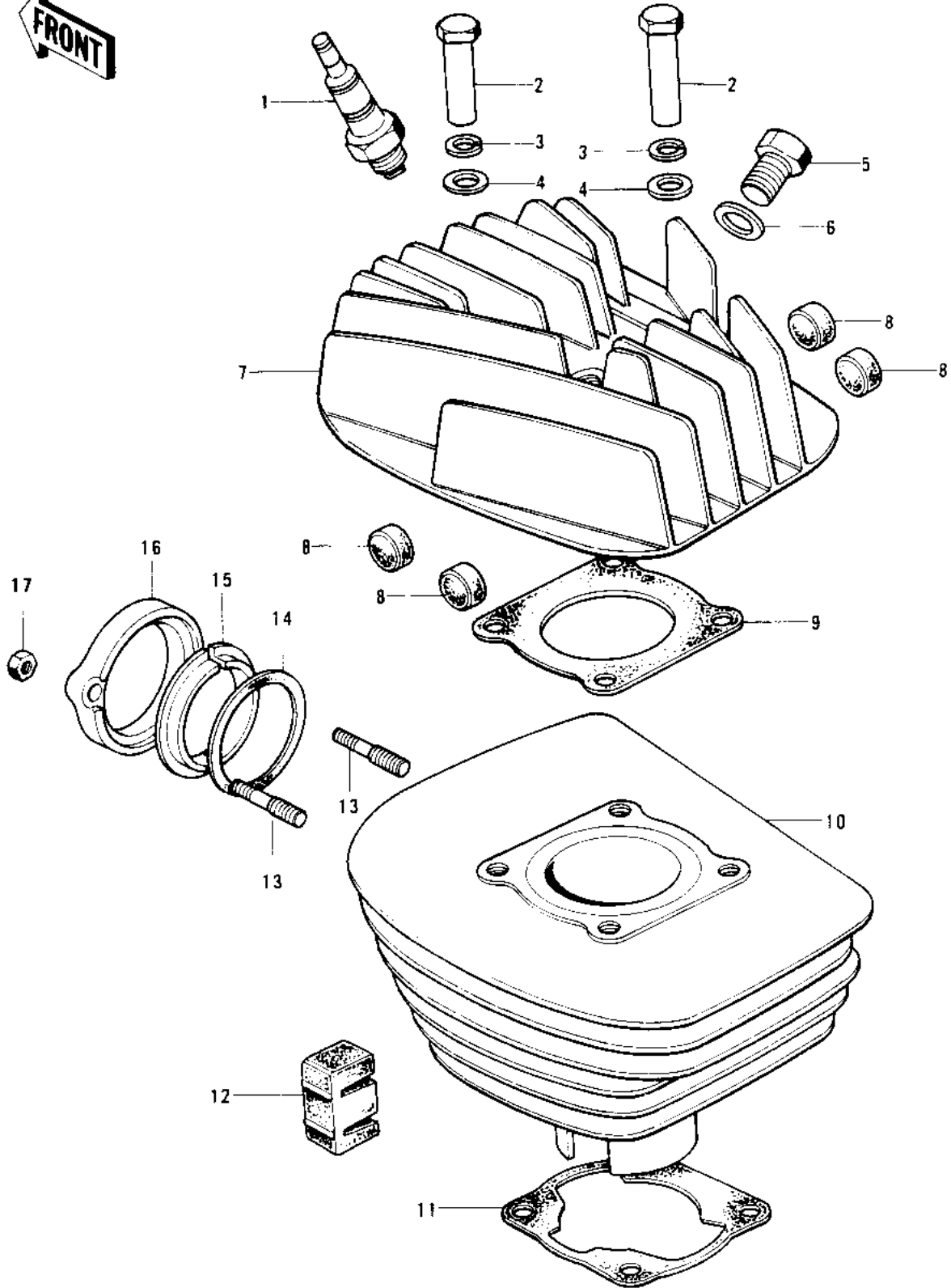


# 1975 KD125 PARTS DIAGRAM

CYLINDER HEAD/CYLINDER



# 1975 KD125 PARTS LIST

## CYLINDER HEAD/CYLINDER

| ITEM NAME                        | PART NUMBER  | QUANTITY |
|----------------------------------|--------------|----------|
| SPARK PLUG B8HS (Ref # 1)        | B8HS         |          |
| NUT 8MM (Ref # 2)                | 92015-020    |          |
| WASHER SPRING 12MM (Ref # 3)     | 461F1200     |          |
| WASHER PLAIN 12MM (Ref # 4)      | 92022-072    |          |
| PLUG-CYLINDER HEAD (Ref # 5)     | 92067-005    |          |
| GASKET-CYL HEAD PLUG (Ref # 6)   | 92065-068    |          |
| CYLINDER HEAD,BLACK (Ref # 7)    | 11001-091-21 |          |
| DAMPER RUBBER (Ref # 8)          | 92075-075    |          |
| GASKET,CYLINDER HEAD (Ref # 9)   | 11004-064    |          |
| CYLINDER,F.BLACK (Ref # 10)      | 11005-1030   |          |
| CYLINDER,F.BLACK (Ref # 10)      | 11005-1030   |          |
| GASKET,CYLINDER BASE (Ref # 11)  | 11009-037    |          |
| DAMPER RUBBER,CYLINDR (Ref # 12) | 92075-247    |          |
| STUD (Ref # 13)                  | 92004-029    |          |
| GASKET EXHAUST PIPE (Ref # 14)   | 18067-008    |          |
| INSERT,EXHAUST HOLDER (Ref # 15) | 18070-007    |          |
| HOLDER,EXHAUST PIPE (Ref # 16)   | 18069-057    |          |
| NUT,LOCK 6MM (Ref # 17)          | 92017-014    |          |