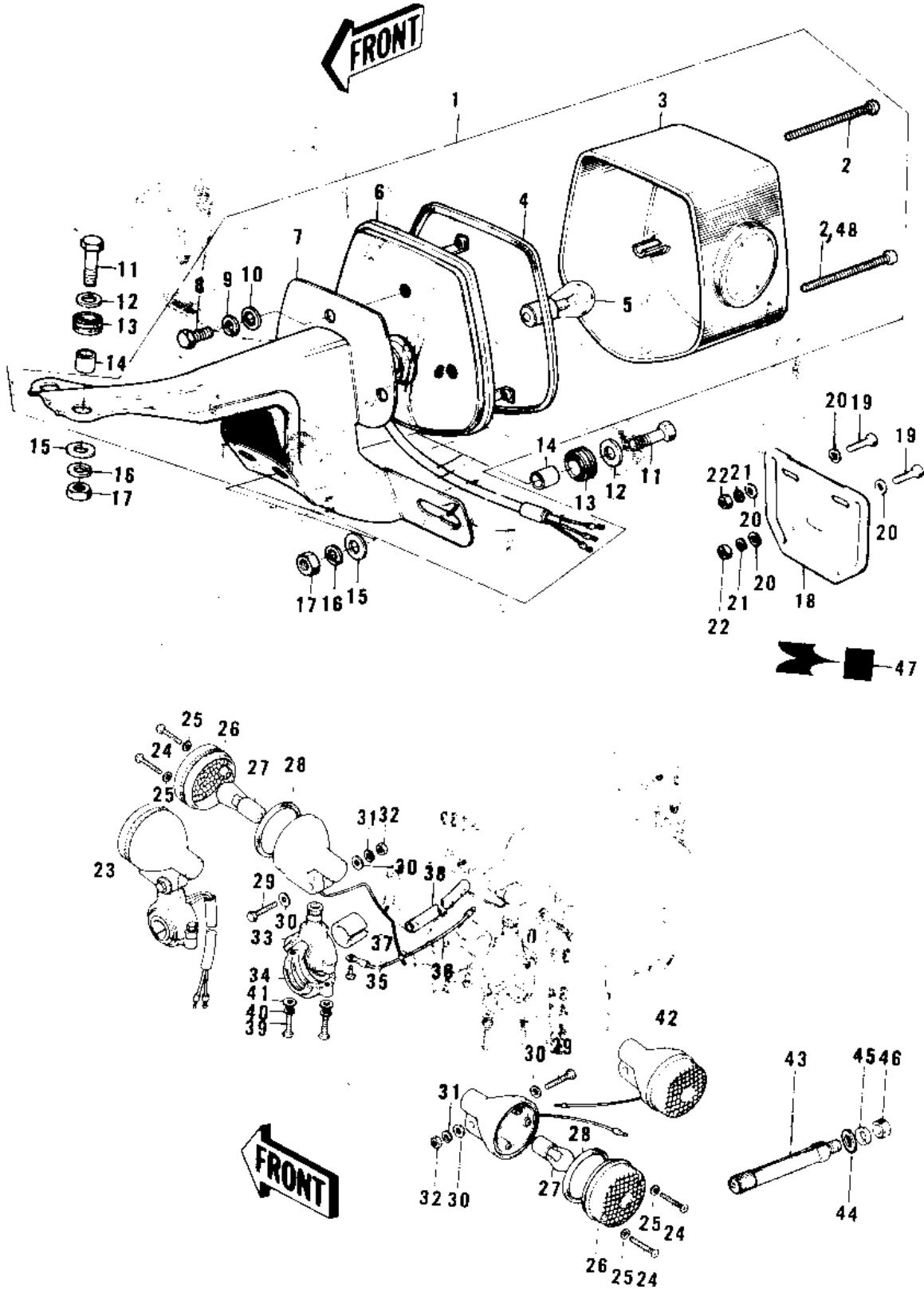


1976 KH100-B7 PARTS DIAGRAM

TAILLIGHT/TURN SIGNALS



1976 KH100-B7 PARTS LIST

TAILLIGHT/TURN SIGNALS

ITEM NAME	PART NUMBER	QUANTITY
LAMP ASSY, TAIL, BLACK (Ref # 1)	23024-049-10	1
SCREW (Ref # 2)	220R0455	3
LENS, TAIL LAMP (Ref # 3)	23026-028	1
GASKET, TAIL LAMP LENS (Ref # 4)	23028-019	1
BULB, 60-32/3CP (Ref # 5)	92069-074	1
BODY COMP TAIL LAMP (Ref # 6)	23027-1018	1
BKT, LICENSE PLT, BLAC (Ref # 7)	23036-030-10	1
BOLT-UPSET 6X14 (Ref # 8)	112B0614	3
BOLT-UPSET 6X14 (Ref # 8)	112B0614	AL
WASHER SPRING 6MM (Ref # 9)	461F0600	3
WASHER PLAIN 6MM (Ref # 10)	411B0600	3
BOLT 6X22 (Ref # 11)	112B0622	4
BOLT 6X22 (Ref # 11)	112B0622	AL
WASHER 6.5X20X1.6T (Ref # 12)	92022-125	4
DAMPER RUBBER (Ref # 13)	92075-076	4
COLLAR, 6.8X10X8.5 (Ref # 14)	92027-129	4
WASHER PLAIN 6MM (Ref # 15)	411B0600	4
WASHER SPRING 6MM (Ref # 16)	461F0600	4
NUT 6MM (Ref # 17)	311B0600	4
BRACKET, LICENSE PLATE (Ref # 18)	11034-1117	1
BOLT-UPSET, 6X20 (Ref # 19)	112G0620	2
BOLT-UPSET, 6X20 (Ref # 19)	112G0620	2
WASHER PLAIN 6MM (Ref # 20)	411B0600	4
WASHER SPRING 6MM (Ref # 21)	461F0600	2
NUT 6MM (Ref # 22)	311B0600	2
LAMP ASY-FR TURN SIG (Ref # 23)	23037-005	2
SCREW-PAN HEAD, 4X20 (Ref # 24)	220E0420A	8
WASHER-PLAIN, 4MM (Ref # 25)	23058-002	8
LENS, TURN SIGNAL LAMP (Ref # 26)	23048-1001	4

1976 KH100-B7 PARTS LIST

TAILLIGHT/TURN SIGNALS

ITEM NAME	PART NUMBER	QUANTITY
BULB,6V 21CP (Ref # 27)	92069-056	4
GASKET-SIG LAMP LENS (Ref # 28)	23050-003	4
BOLT-UPSET (Ref # 29)	112G0630	4
WASHER-PLAIN,6MM (Ref # 30)	411D0600	8
WASHER SPRING 6MM (Ref # 31)	461F0600	4
NUT 6MM (Ref # 32)	311B0600	4
BRACKET,FRNT TURN SIG (Ref # 33)	23051-1004	2
BRACKET,SIGNAL LAMP (Ref # 34)	23051-1013	2
SCREW PAN HEAD 3X5 (Ref # 35)	220B0305A	2
WIRE-TURN SIGNAL LEAD (Ref # 36)	26011-061	2
DAMPER RUBBER (Ref # 37)	23066-003	2
COVER-WIRING HARNESS (Ref # 38)	26009-004	2
BOLT (Ref # 39)	110N0516	4
WASHER SPRING 5MM (Ref # 40)	461F0500	4
WASHER-PLAIN,5MM (Ref # 41)	410D0500	4
LAMP ASSY,TURN SIGNAL (Ref # 42)	23040-038	2
BRACKET,TURN SIGNAL (Ref # 43)	23051-047	2
WASHER PLAIN 12MM (Ref # 44)	411B1200	2
WASHER SPRING 12MM (Ref # 45)	461F1200	2
NUT,12MM (Ref # 46)	311B1200	2
EMBLEM,LICNSE PLT BKT (Ref # 47)	56018-176	1
SCREW PAN HEAD 4X50 (Ref # 48)	220E0450	2