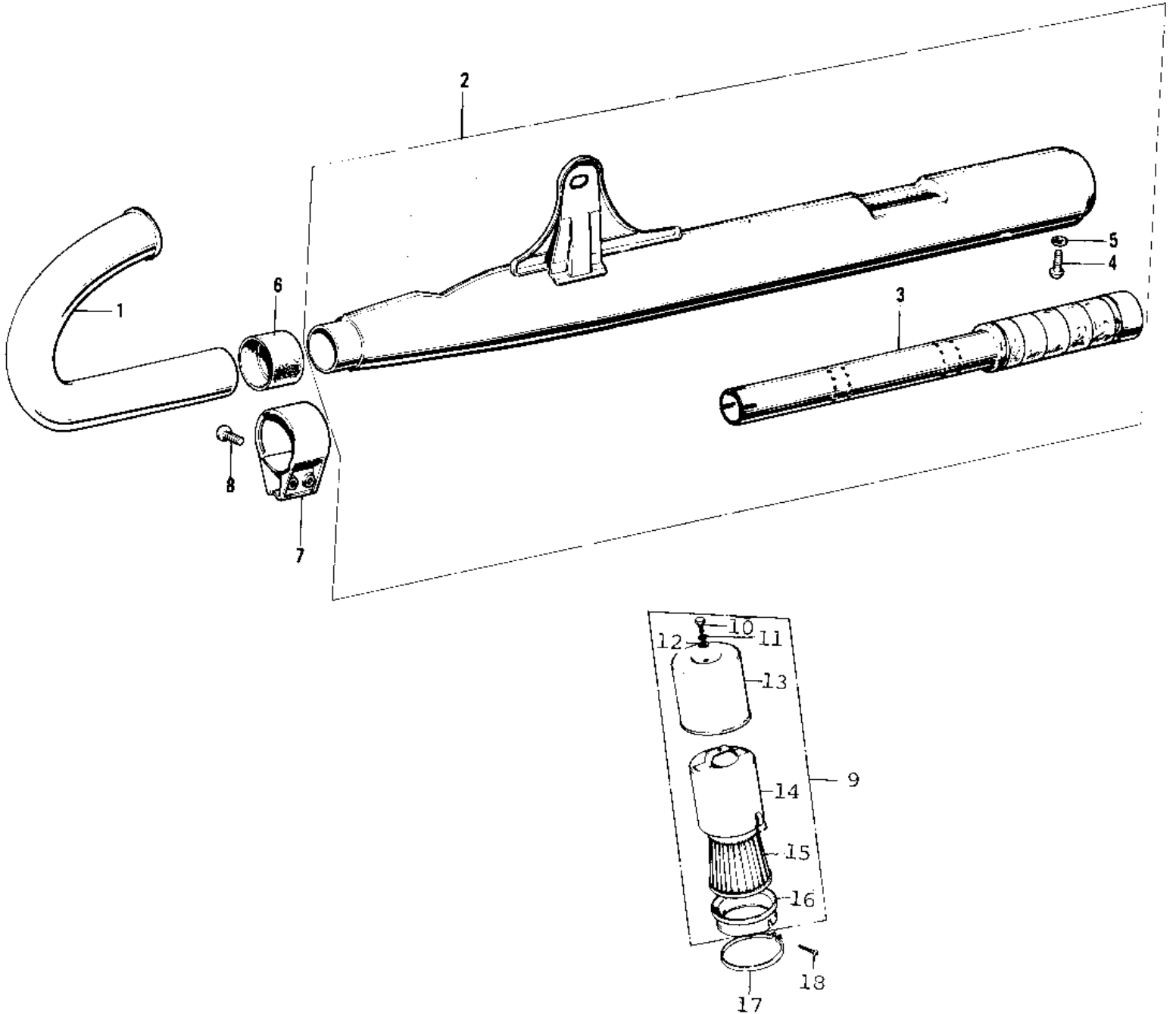


1976 KH100-B7 PARTS DIAGRAM

AIR CLEANER/MUFFLER



1976 KH100-B7 PARTS LIST

AIR CLEANER/MUFFLER

ITEM NAME	PART NUMBER	QUANTITY
PIPE EXHAUST (Ref # 1)	18049-021	1
MUFFLER ASSY (Ref # 2)	18001-116	1
BAFFLE TUBE (Ref # 3)	18033-057	1
SCREW PAN HEAD 6X8 (Ref # 4)	220B0608	1
WASHER SPRING 6MM (Ref # 5)	461F0600	1
CONNECTOR MUFFLER (Ref # 6)	18043-008	1
HOLDER-MFLR CONECT,CR (Ref # 7)	18044-004-79	1
SCREW PAN HEAD 6X25 (Ref # 8)	220B0625	2
AIR CLEANER ASSY (Ref # 9)	11010-036	1
BOLT-UPSET,6X12 (Ref # 10)	112G0612	1
WASHER SPRING 6MM (Ref # 11)	461F0600	1
WASHER PLAIN 6MM (Ref # 12)	410B0600	1
CAP A-AIR CLEANER (Ref # 13)	11012-012	1
BODY-AIR CLEANER (Ref # 14)	11011-009	1
ELEMENT,AIR,CLNR (Ref # 15)	11013-027	1
CAP AIR CLEANER B (Ref # 16)	11012-013	1
CLAMP AIR CLEANER (Ref # 17)	92037-018	1
SCREW PAN HEAD 6X25 (Ref # 18)	220B0625	1