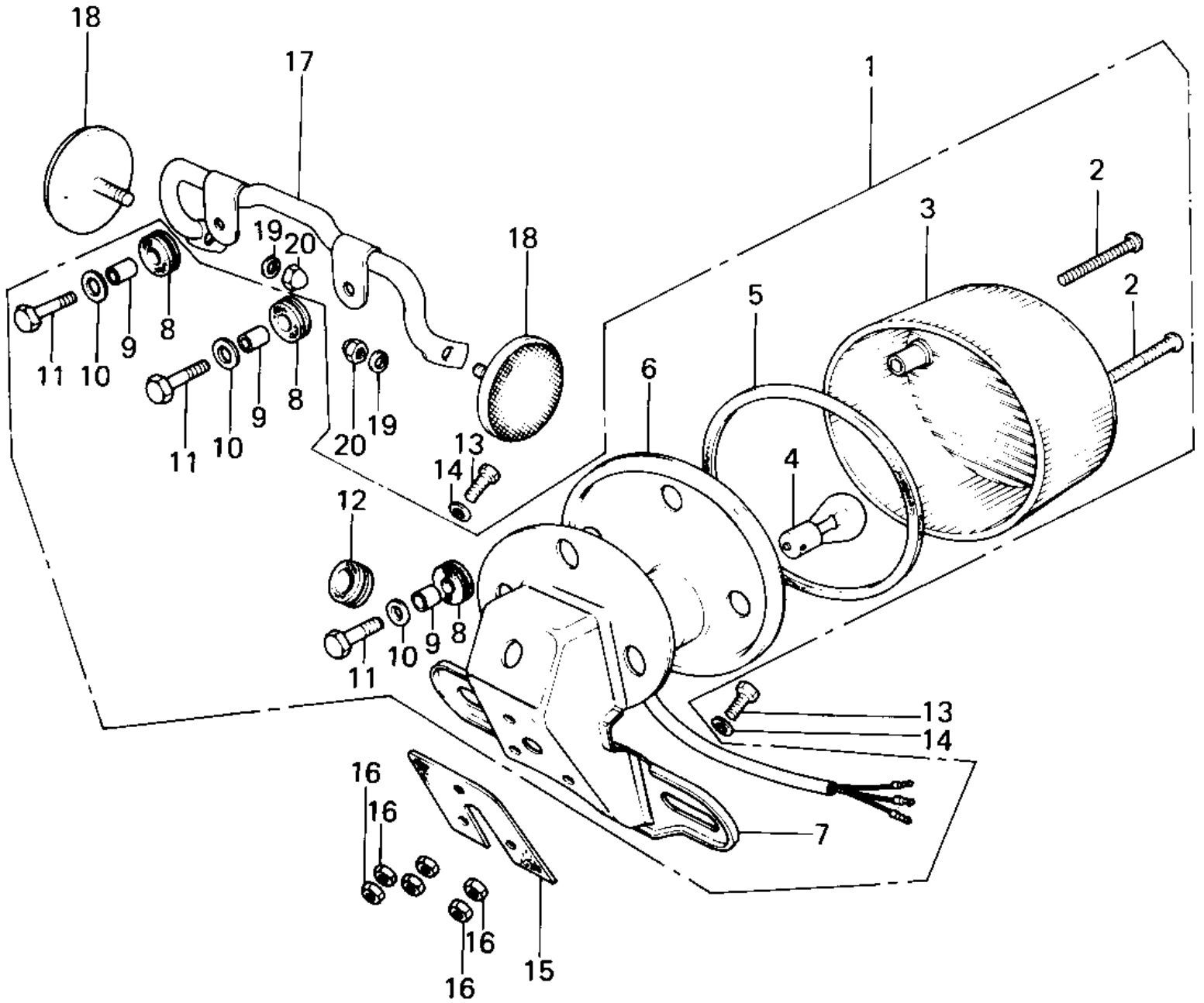


1981 KE100 PARTS DIAGRAM

TAILLIGHT



1981 KE100 PARTS LIST

TAILLIGHT

| ITEM NAME | PART NUMBER | QUANTITY |
|----------------------------------|--------------|----------|
| LAMP ASSY,TAIL,BLACK (Ref # 1) | 23024-069-21 | 1 |
| SCREW-PAN HEAD,4X35 (Ref # 2) | 220E0435A | 2 |
| LENS-TAIL LAMP (Ref # 3) | 23026-023 | 1 |
| BULB,60-32/3CP (Ref # 4) | 92069-074 | 1 |
| GASKET-TAIL LAMP LENS (Ref # 5) | 23028-018 | 1 |
| CASE,TAIL LAMP (Ref # 6) | 23027-030 | 1 |
| BKT-LICENSE PLT.BLACK (Ref # 7) | 23036-019-21 | 1 |
| DAMPER RUBBER (Ref # 8) | 92075-076 | 3 |
| COLLAR,6.8X10X8.5 (Ref # 9) | 92027-129 | 3 |
| WASHER 6.5X20X1.6T (Ref # 10) | 92022-125 | 3 |
| BOLT 6X22 (Ref # 11) | 112B0622 | 3 |
| GROMMET HARNESS 10MM (Ref # 12) | 92071-019 | 1 |
| BOLT-UPSET (Ref # 13) | 112G0630 | 3 |
| WASHER 6.5X20X1.6T (Ref # 14) | 92022-125 | 3 |
| DAMPER-TAIL LAMP SHCK (Ref # 15) | 35039-005 | 1 |
| NUT 6MM (Ref # 16) | 311B0600 | 6 |
| BRACKET-REFLECTOR (Ref # 17) | 28013-005 | 1 |
| REFLECTOR-REFLEX,REAR (Ref # 18) | 28012-008 | 2 |
| WASHER SPRING 5MM (Ref # 19) | 461F0500 | 2 |
| NUT-CAP,5MM (Ref # 20) | 322N0500 | 2 |