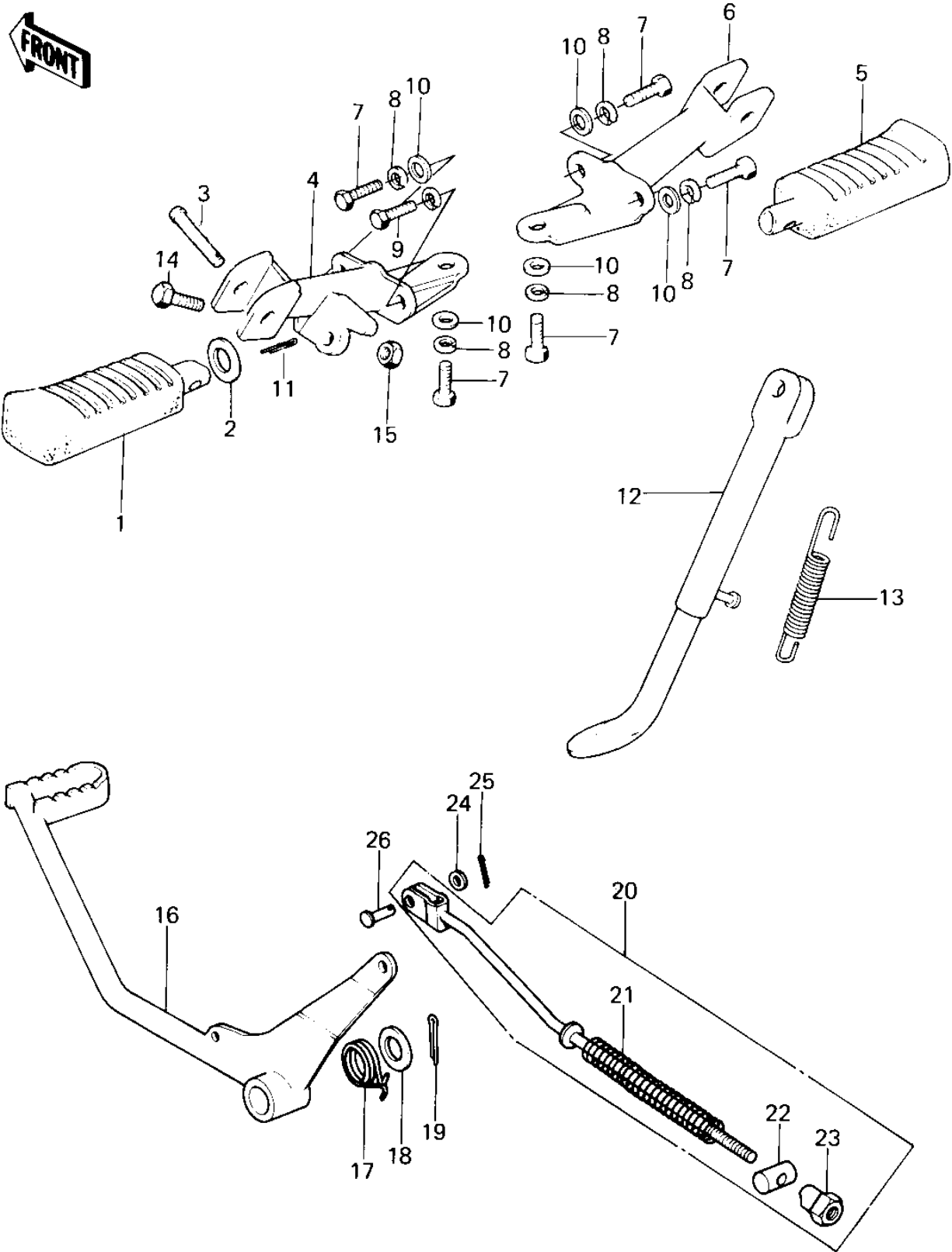


1977 KE100 PARTS DIAGRAM

FOOTRESTS/STAND/BRAKE PEDAL



1977 KE100 PARTS LIST

FOOTRESTS/STAND/BRAKE PEDAL

ITEM NAME	PART NUMBER	QUANTITY
STEP-ASSY,FR,LH (Ref # 1)	34027-1114	
WASHER,PLAIN (Ref # 2)	92022-250	
PIN-FOOTREST BAR FIT (Ref # 3)	92043-080	
HOLDER,FOTREST BAR,LH (Ref # 4)	34003-049	
STEP-ASSY,FR,RH (Ref # 5)	34027-1115	
HOLDER,FOTREST BAR,RH (Ref # 6)	34003-050	
BOLT-SMALL-UPSET,8X18 (Ref # 7)	115G0818	
WASHER SPRING 8MM (Ref # 8)	461F0800	
BOLT-SMALL-UPSET,8X16 (Ref # 9)	115G0816	
WASHER PLAIN 8MM (Ref # 10)	410B0800	
PIN COTTER 2.5X16 (Ref # 11)	550D2516	
STAND-SIDE (Ref # 12)	34024-037	
SPRING MAIN STAND (Ref # 13)	34023-005	
BOLT, HEX HEAD, 10X28 (Ref # 14)	113B1028	
NUT 10MM (Ref # 15)	315B1000	
PEDAL,BRAKE (Ref # 16)	43001-056	
SPRING BRAKE PEDAL (Ref # 17)	43005-007	
WASHER PLAIN 14MM (Ref # 18)	410B1400	
PIN COTTER 3.0X30 (Ref # 19)	550D3030	
BRAKE ROD ASSY (Ref # 20)	43010-5001	
BRAKE ROD ASSY (Ref # 20)	43010-5001	
SPRING,BRAKE ROD (Ref # 21)	43012-001	
PIN BRAKE (Ref # 22)	92043-039	
NUT-BRAKE ROD ADJUST (Ref # 23)	92015-042	
NUT-BRAKE ROD ADJUST (Ref # 23)	92015-042	
WASHER PLAIN 6MM (Ref # 24)	410B0600	
PIN COTTER 2.0X15 (Ref # 25)	550D2015	
PIN-BRAKE ROD FITTING (Ref # 26)	92043-064	