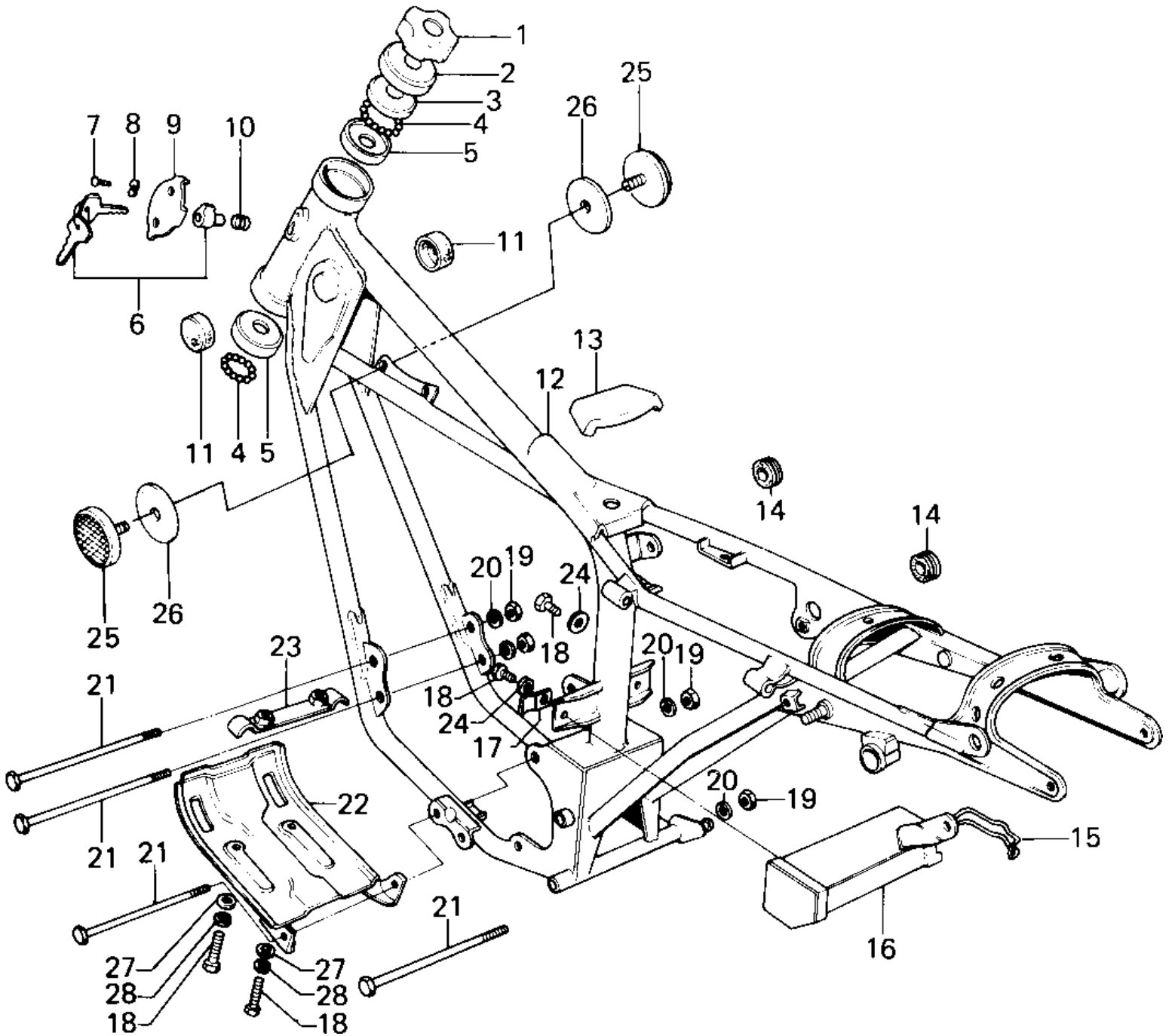


1977 KE100 PARTS DIAGRAM

FRAME/FRAME FITTINGS



1977 KE100 PARTS LIST

FRAME/FRAME FITTINGS

ITEM NAME	PART NUMBER	QUANTITY
NUT STEERING STEM LCK (Ref # 1)	92090-006	1
CAP STEERING STEM (Ref # 2)	46098-004	1
CONE UPPER BEARING (Ref # 3)	92047-005	1
BALL STEEL 3/16" (Ref # 4)	600A0600	1
RACE BEARING (Ref # 5)	92048-004	1
LOCK ASSY,STEERING (Ref # 6)	27016-042	1
SCREW-TAPPING (Ref # 7)	92008-007	1
WASHER (Ref # 8)	92097-003	1
CAP,STEERING LOCK (Ref # 9)	11012-1134	2
SPRING-STEERING LOCK (Ref # 10)	27032-001	1
DAMPER RUBBER-FL TANK (Ref # 11)	92075-101	1
FRAME (Ref # 12)	32002-137	1
FRAME (Ref # 12)	32002-1042	1
FRAME-COMP (Ref # 12)	32002-1253	1
DAMPER RUBBER-FL TANK (Ref # 13)	92075-106	1
GROMMET (Ref # 14)	92071-056	1
FASTENER-TOOL CASE (Ref # 15)	92079-002	1
CASE-TOOL (Ref # 16)	32098-018	1
CLAMP-BREATHER PIPE (Ref # 17)	92037-070	1
BOLT-UPSET 6X14 (Ref # 18)	112B0614	1
NUT,10MM (Ref # 19)	314B1000	1
WASHER SPRING 10MM (Ref # 20)	461F1000	1
BOLT,FLANGED,10X115 (Ref # 21)	92001-1603	1
GUARD,ENGINE (Ref # 22)	55011-018	1
BRACKET,ENGINE GUARD (Ref # 23)	55016-007	1
WASHER PLAIN 6MM (Ref # 24)	411B0600	1
REFLECTOR,REFLEX,REAR (Ref # 25)	28012-009	1
DAMPER RUBBER,REFLECT (Ref # 26)	92094-011	1
WASHER PLAIN 6MM (Ref # 27)	410B0600	1

1977 KE100 PARTS LIST

FRAME/FRAME FITTINGS

ITEM NAME	PART NUMBER	QUANTITY
WASHER SPRING 6MM (Ref # 28)	461F0600	1