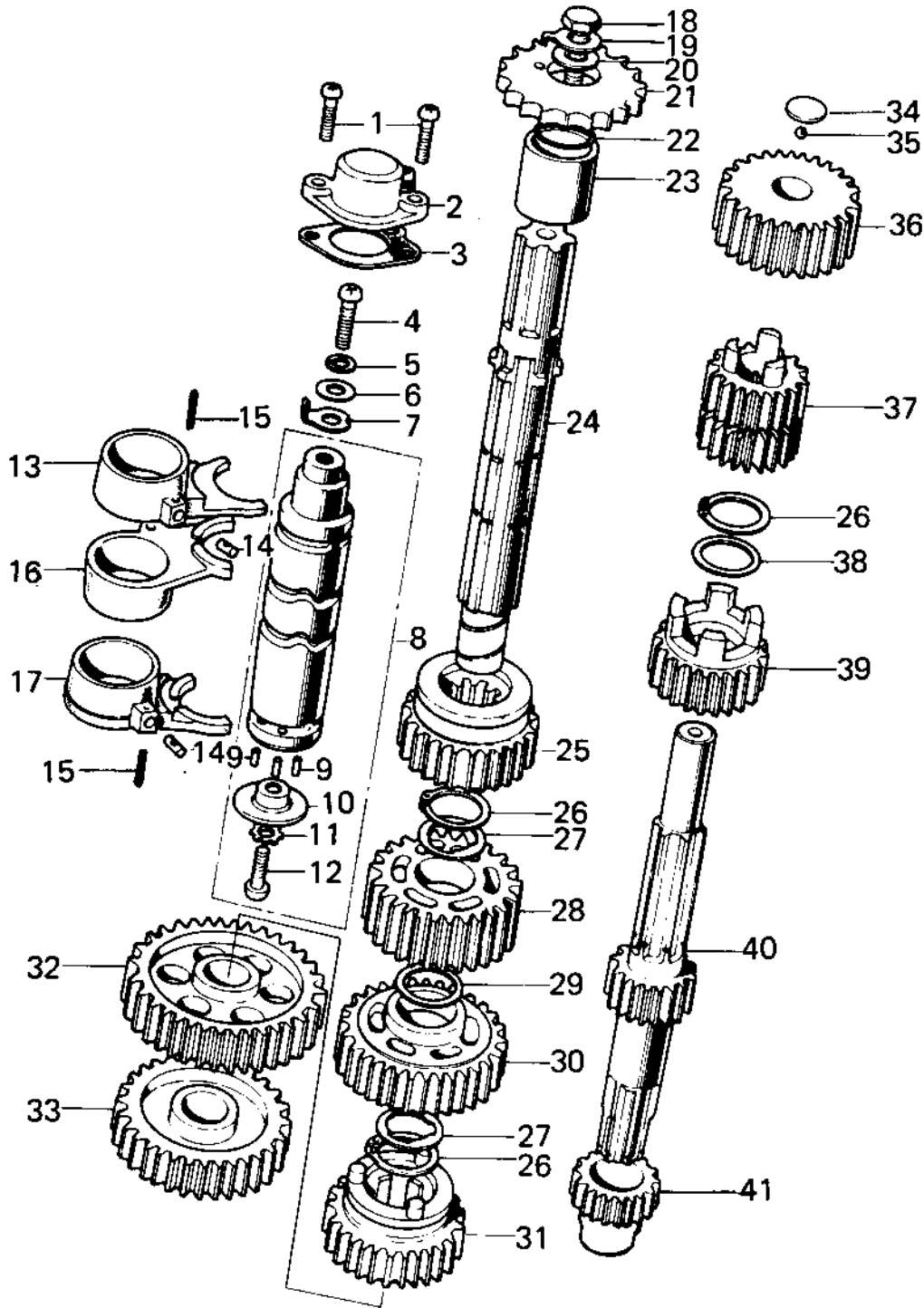


1977 KE100 PARTS DIAGRAM

TRANSMISSION/CHANGE DRUM(KE100-A5/A6/A7/



1977 KE100 PARTS LIST

TRANSMISSION/CHANGE DRUM(KE100-A5/A6/A7/

ITEM NAME	PART NUMBER	QUANTITY
SCREW PAN HEAD 6X16 (Ref # 1)	220B0616	2
SWITCH,NEUTRAL (Ref # 2)	13151-1002	2
GASKET NEUTRAL SWITCH (Ref # 3)	13146-002	1
WASHER SPRING 6MM (Ref # 5)	461F0600	1
WASHER PLAIN 6MM (Ref # 6)	410B0600	1
ROTOR,NEUTRAL INDICTR (Ref # 7)	21007-1003	2
DRUM ASSY-GEAR CHANGE (Ref # 8)	13239-005	1
DRUM ASSY,GEAR CHANGE (Ref # 8)	13239-1002	1
PIN GEAR CHANGE DRUM (Ref # 9)	92042-014	2
PLATE CHANGE DRUM PIN (Ref # 10)	13142-008	1
WASHER LOCK 6MM (Ref # 11)	464H0600	1
SCREW PAN HEAD 6X14 (Ref # 12)	220B0614	1
FORK SELECTOR 3RD (Ref # 13)	13140-009	1
PIN SELECT FORK GUIDE (Ref # 14)	92043-005	1
PIN COTTER 3.0X20 (Ref # 15)	550D3020	1
FORK SELECTOR 4TH-TOP (Ref # 16)	13140-017	1
FORK SELECTOR LOW-2ND (Ref # 17)	13140-010	1
BOLT-SMALL-UPSET,8X16 (Ref # 18)	115G0816	1
WASHER,LOCK,8MM (Ref # 19)	92030-012	1
WASHER,ENGINE SPRCKT (Ref # 20)	92022-266	1
ENGINE SPROCKET,1ST (Ref # 21)	13144-054	1
ENGINE SPROCKET,13T (Ref # 21)	13144-053	1
SPROCKET-OUTPUT,14T (Ref # 21)	13144-1058	1
"O" RING (Ref # 22)	92055-022	1
COLLAR,ENG NPROCKET (Ref # 23)	92027-179	1
COLLAR,ENG SPROCKET (Ref # 23)	92027-1595	1
SHAFT OUTPUT (Ref # 24)	13128-021	1
TOP GEAR OUTPUT SHAFT (Ref # 25)	13137-012	1
CIRCLIP (Ref # 26)	92033-014	1

1977 KE100 PARTS LIST

TRANSMISSION/CHANGE DRUM(KE100-A5/A6/A7/

ITEM NAME	PART NUMBER	QUANTITY
WASHER-LOCK (Ref # 27)	92024-030	1
3RD GEAR OUTPUT SHAFT (Ref # 28)	13133-005	1
WASHER THRUST (Ref # 29)	92022-146	1
2ND GEAR OUTPUT SHAFT (Ref # 30)	13131-008	1
GEAR-TRANSMISSION SPU (Ref # 31)	13129-1708	1
LOW GEAR OUTPUT SHAFT (Ref # 32)	13129-010	1
IDLE GEAR (Ref # 33)	13073-004	1
WASHER THRUST (Ref # 34)	92022-115	1
BALL STEEL 7/32' (Ref # 35)	600A0700	1
GEAR,INPUT TOP,24T (Ref # 36)	13129-1927	1
2ND&3RD GEAR,DRIVE (Ref # 37)	13129-1052	2
WASHER THRUST (Ref # 38)	92022-118	1
4TH GEAR,DRIVE (Ref # 39)	13129-1053	2
SHAFT,DRIVE (Ref # 40)	13127-032	1
PINION KICKSTARTER (Ref # 41)	13075-004	1