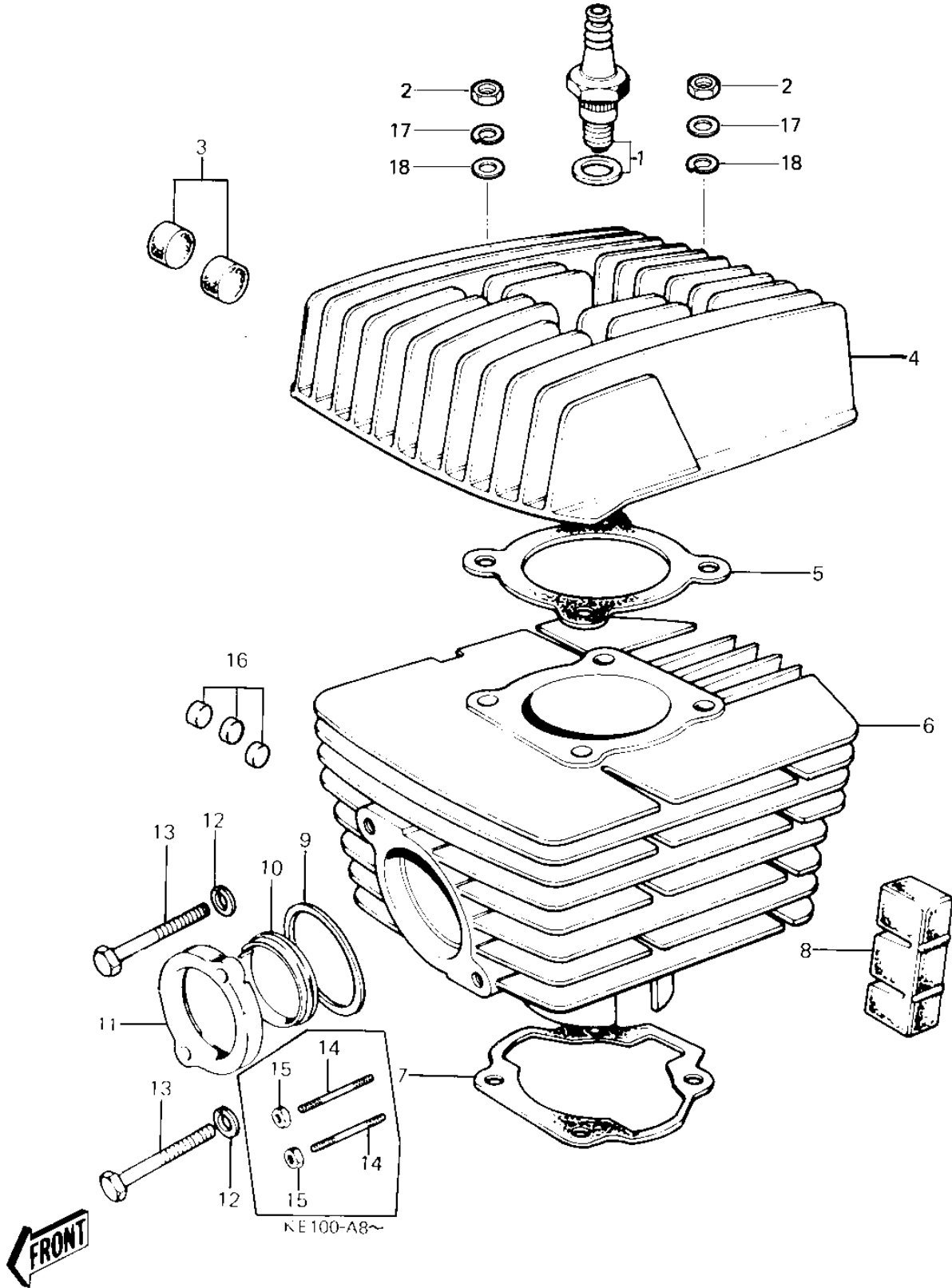


1977 KE100 PARTS DIAGRAM

CYLINDER HEAD/CYLINDER



1977 KE100 PARTS LIST

CYLINDER HEAD/CYLINDER

ITEM NAME	PART NUMBER	QUANTITY
SPARK PLUGS B8HC (Ref # 1)	92070-010	
SPARK PLUG B8ES (Ref # 1)	B8ES	
NUT,8MM (Ref # 2)	311B0800	
NUT-8MM (Ref # 2)	92015-1022	
DAMPER RUBBER (Ref # 3)	92075-074	
DAMPER RUBBER (Ref # 3)	92075-075	
CYLINDER HEAD,BLACK (Ref # 4)	11001-075-21	
HEAD-CYLINDER (Ref # 4)	11001-1018	
CYLINDER HEAD (Ref # 4)	11001-1008	
HEAD-CYLINDER (Ref # 4)	11001-1018	
GASKET CYLINDER HEAD (Ref # 5)	11004-033	
CYLINDER,BLACK (Ref # 6)	11005-1027	
CYLINDER,BLACK (Ref # 6)	11005-1027	
CYLINDER,ELECTRO-FUSE (Ref # 6)	11005-1006	
CYLINDER (Ref # 6)	11005-1082	
GASKET,CYLINDER BASE (Ref # 7)	11060-1200	
DAMPER RUBBER,CYLIND (Ref # 8)	92075-170	
GASKET,EXHAUST PIPE (Ref # 9)	11009-1992	
GASKET,EXHAUST PIPE (Ref # 9)	11009-1992	
INSERT,EXH PIPE HLDR (Ref # 10)	18070-008	
HOLDER,EXHAUST PIPE (Ref # 11)	18069-048	
WASHER SPRING 6MM (Ref # 12)	461F0600	
BOLT-UPSET (Ref # 13)	112G0625	
STUD (Ref # 14)	92004-029	
NUT,LOCK 6MM (Ref # 15)	92017-014	
NUT-6MM (Ref # 15)	92015-1078	
DAMPER RUBBER-CYL-HD (Ref # 16)	92075-109	
WASHER SPRING 8MM (Ref # 17)	461F0800	
WASHER PLAIN 8MM (Ref # 18)	410B0800	