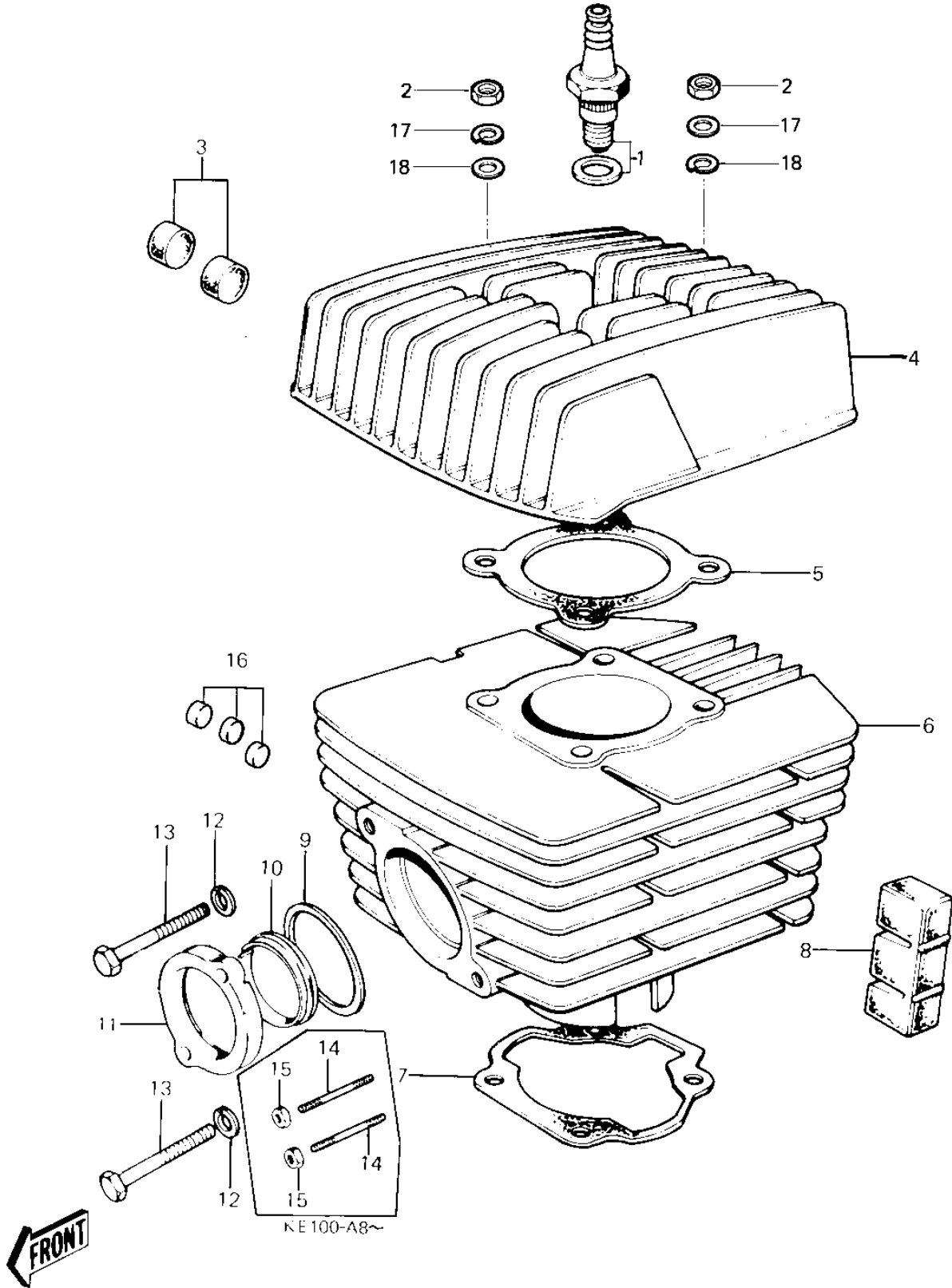


# 1981 KE100 PARTS DIAGRAM

CYLINDER HEAD/CYLINDER



# 1981 KE100 PARTS LIST

## CYLINDER HEAD/CYLINDER

ITEM NAME	PART NUMBER	QUANTITY
SPARK PLUGS B8HC (Ref # 1)	92070-010	1
SPARK PLUG B8ES (Ref # 1)	B8ES	1
NUT,8MM (Ref # 2)	311B0800	4
NUT-8MM (Ref # 2)	92015-1022	4
DAMPER RUBBER (Ref # 3)	92075-074	8
DAMPER RUBBER (Ref # 3)	92075-075	6
CYLINDER HEAD,BLACK (Ref # 4)	11001-075-21	1
HEAD-CYLINDER (Ref # 4)	11001-1018	1
CYLINDER HEAD (Ref # 4)	11001-1008	1
HEAD-CYLINDER (Ref # 4)	11001-1018	1
GASKET CYLINDER HEAD (Ref # 5)	11004-033	1
CYLINDER,BLACK (Ref # 6)	11005-1027	1
CYLINDER,BLACK (Ref # 6)	11005-1027	1
CYLINDER,ELECTRO-FUSE (Ref # 6)	11005-1006	1
CYLINDER (Ref # 6)	11005-1082	1
GASKET,CYLINDER BASE (Ref # 7)	11060-1200	1
DAMPER RUBBER,CYLIND (Ref # 8)	92075-170	2
GASKET,EXHAUST PIPE (Ref # 9)	11009-1992	1
GASKET,EXHAUST PIPE (Ref # 9)	11009-1992	1
INSERT,EXH PIPE HLDR (Ref # 10)	18070-008	1
HOLDER,EXHAUST PIPE (Ref # 11)	18069-048	1
WASHER SPRING 6MM (Ref # 12)	461F0600	2
BOLT-UPSET (Ref # 13)	112G0625	2
STUD (Ref # 14)	92004-029	2
NUT,LOCK 6MM (Ref # 15)	92017-014	2
NUT-6MM (Ref # 15)	92015-1078	2
DAMPER RUBBER-CYL-HD (Ref # 16)	92075-109	8
WASHER SPRING 8MM (Ref # 17)	461F0800	4
WASHER PLAIN 8MM (Ref # 18)	410B0800	4