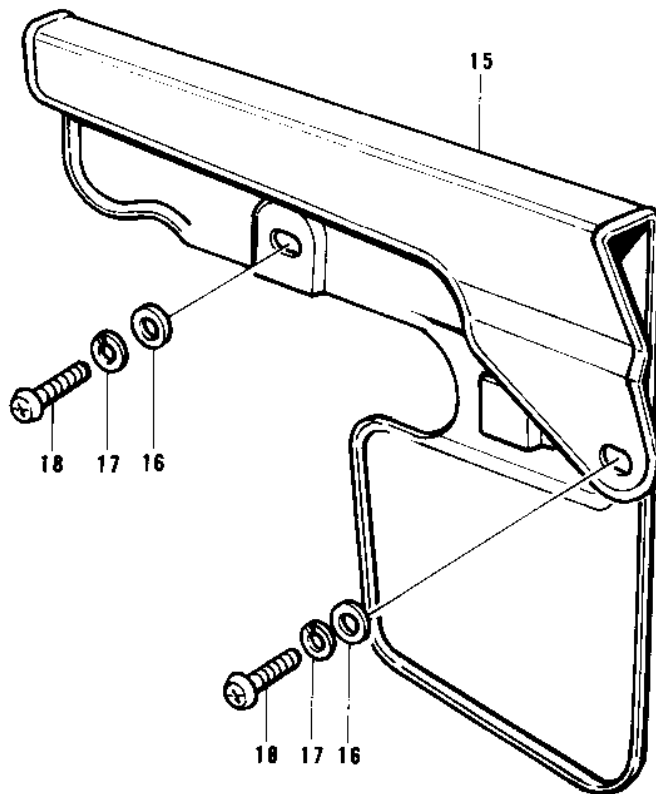
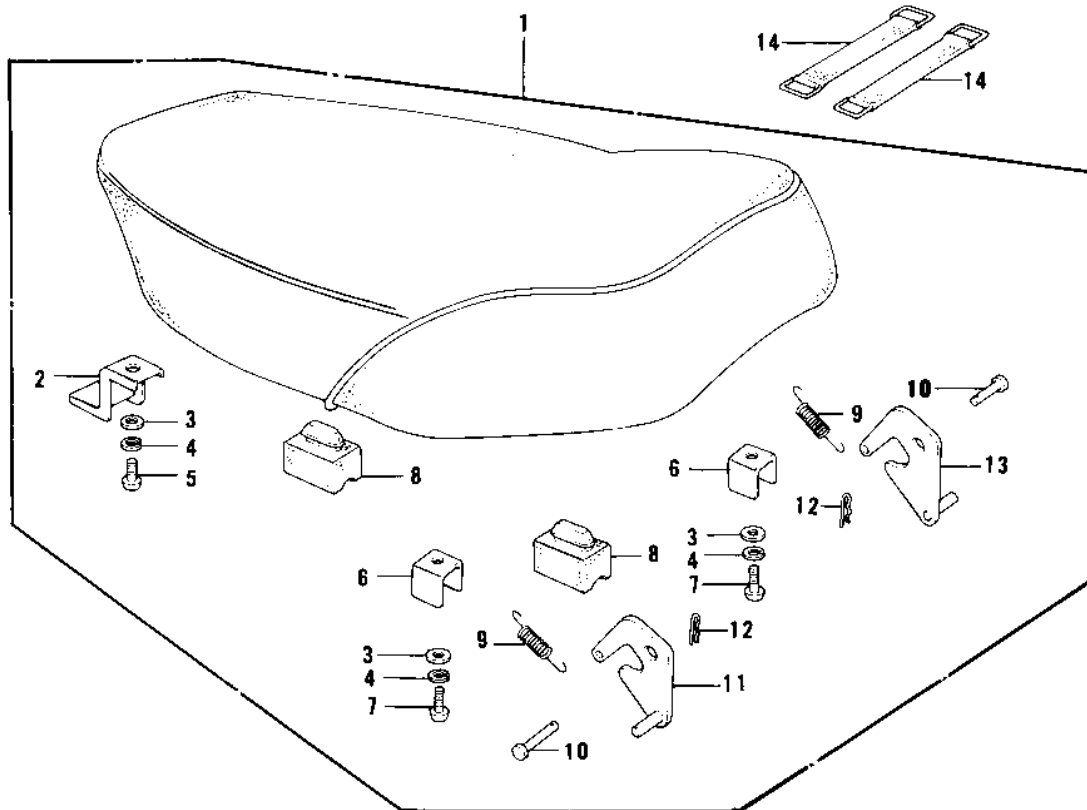


1976 KD100-M1 PARTS DIAGRAM

SEAT/CHAIN COVER



1976 KD100-M1 PARTS LIST

SEAT/CHAIN COVER

ITEM NAME	PART NUMBER	QUANTITY
SEAT-ASSY (Ref # 1)	53001-1018	1
SEAT-ASSY (Ref # 1)	53001-1027	1
BRACKET,SEAT (Ref # 2)	53032-004	1
WASHER PLAIN 6MM (Ref # 3)	410B0600	1
WASHER SPRING 6MM (Ref # 4)	461F0600	2
SCREW PAN HEAD 6X14 (Ref # 5)	220B0614	1
SPRING,SEAT HOOK (Ref # 6)	53012-012	1
SCREW PAN HEAD 6X12 (Ref # 7)	220B0612	2
DAMPER RUBBER (Ref # 8)	92075-099	1
SPRING,HOOK (Ref # 9)	53012-013	1
PIN DUAL SEAT PIVOT (Ref # 10)	53011-001	1
HOOK,L.H SEAT (Ref # 11)	53008-031	1
COTTER PIN (Ref # 12)	92041-003	1
HOOK,R.H SEAT (Ref # 13)	53008-032	1
BAND,TOOL (Ref # 14)	92072-066	1
CASE-CHAIN (Ref # 15)	36014-1024	1
WASHER PLAIN 6MM (Ref # 16)	411B0600	1