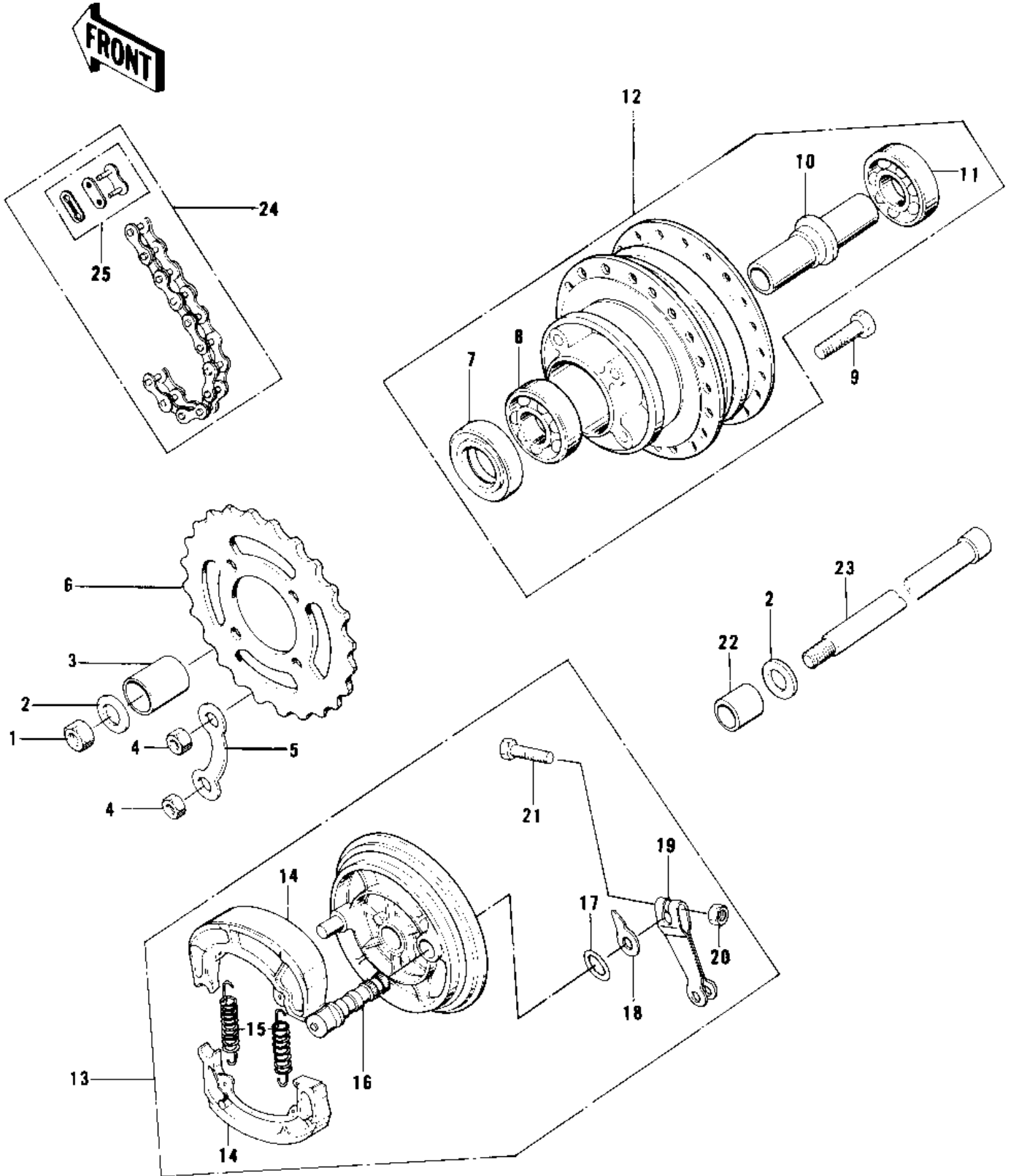


1976 KD100-M1 PARTS DIAGRAM

REAR HUB/BRAKE/CHAIN



1976 KD100-M1 PARTS LIST

REAR HUB/BRAKE/CHAIN

ITEM NAME	PART NUMBER	QUANTITY
NUT-HEX-FINE (Ref # 1)	314B1200	1
WASHER PLAIN 12MM (Ref # 2)	411B1200	2
COLLAR,REAR AXLE (Ref # 3)	42032-044	1
NUT,8MM (Ref # 4)	311B0800	4
WASHER RR SPRCKT LOCK (Ref # 5)	92088-003	2
REAR SPROCKET 36T (Ref # 6)	42041-022	1
REAR SPROCKET 34T (Ref # 6)	42041-019	(1
OIL SEAL RR BRK DRUM (Ref # 7)	92052-001	1
BEARING BALL #6301 (Ref # 8)	601B6301	1
BOLT REAR SPROCKET (Ref # 9)	92001-021	4
SPACER RR HUB BEARING (Ref # 10)	42010-003	1
BEARING BALL #6301Z (Ref # 11)	601B6301Z	1
DRUM-ASSY,RR BRK,BUFF (Ref # 12)	41034-1002-80	1
DRUM-ASSY,RR BRK,BUFF (Ref # 12)	41034-1002-80	1
PANEL-ASY,RR BRK,BUFF (Ref # 13)	42006-063-80	1
SHOE-BRAKE (Ref # 14)	41048-1085	2
SPRING,BRAKE SHOE (Ref # 15)	92081-1766	2
CAM SHAFT,REAR BRAKE (Ref # 16)	42026-018	1
"O" RING,11MM (Ref # 17)	92055-004	1
INDICATOR,BKSHOE (Ref # 18)	41085-003	1
LEVER,REAR BRAKE PANL (Ref # 19)	42029-027	1
NUT,6MM (Ref # 20)	41072-007	1
BOLT-UPSET (Ref # 21)	112G0630	1
COLLAR-REAR HUB R.H (Ref # 22)	42032-002	1
AXLE,12X206 (Ref # 23)	41068-1091	1
CHAIN,DRIVE,EK428 96L (Ref # 24)	92057-1089	1
JOINT-CHAIN (Ref # 25)	92058-1014	1