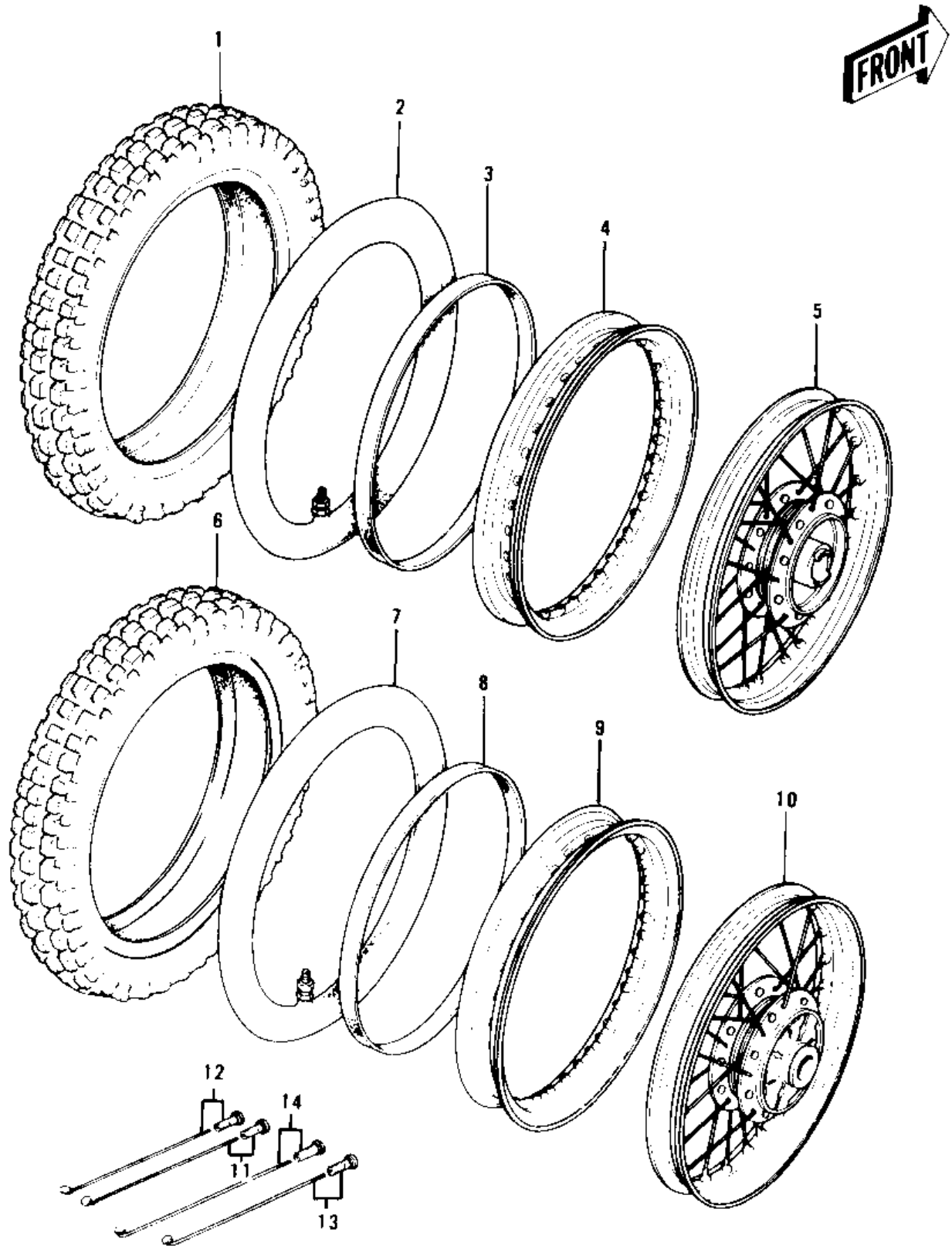


## 1976 KD100-M1 PARTS DIAGRAM

WHEELS/TIRES



## 1976 KD100-M1 PARTS LIST

### WHEELS/TIRES

ITEM NAME	PART NUMBER	QUANTITY
*** N.L.A.*** (Canada) (Ref # 1)	41017-014	1
TUBE 225/250-16 (Ref # 2)	41022-041	1
BAND,RIM,FRONT (Ref # 3)	41023-024	1
RIM,1.40X16W (Ref # 4)	41025-069	1
WHEEL ASSY,FRONT (Ref # 5)	41074-041	1
TIRE 275-14 K250 R (Ref # 6)	41002-1271	1
TUBE 275/410/425-14 (Ref # 7)	41022-042	1
BAND,RIM,4.10-14 (Ref # 8)	41023-1025	1
RIM,1.60X14W (Ref # 9)	41025-070	1
WHEEL ASSY,REAR (Ref # 10)	41073-5017	2
SPOKE-ASY,FR INNER (Ref # 11)	41027-065	1
SPOKE-ASY FR OUTER (Ref # 12)	41028-065	1
SPOKE-ASY,RR INNER (Ref # 13)	41027-066	1
SPOKE-ASY RR OUTER (Ref # 14)	41028-066	1