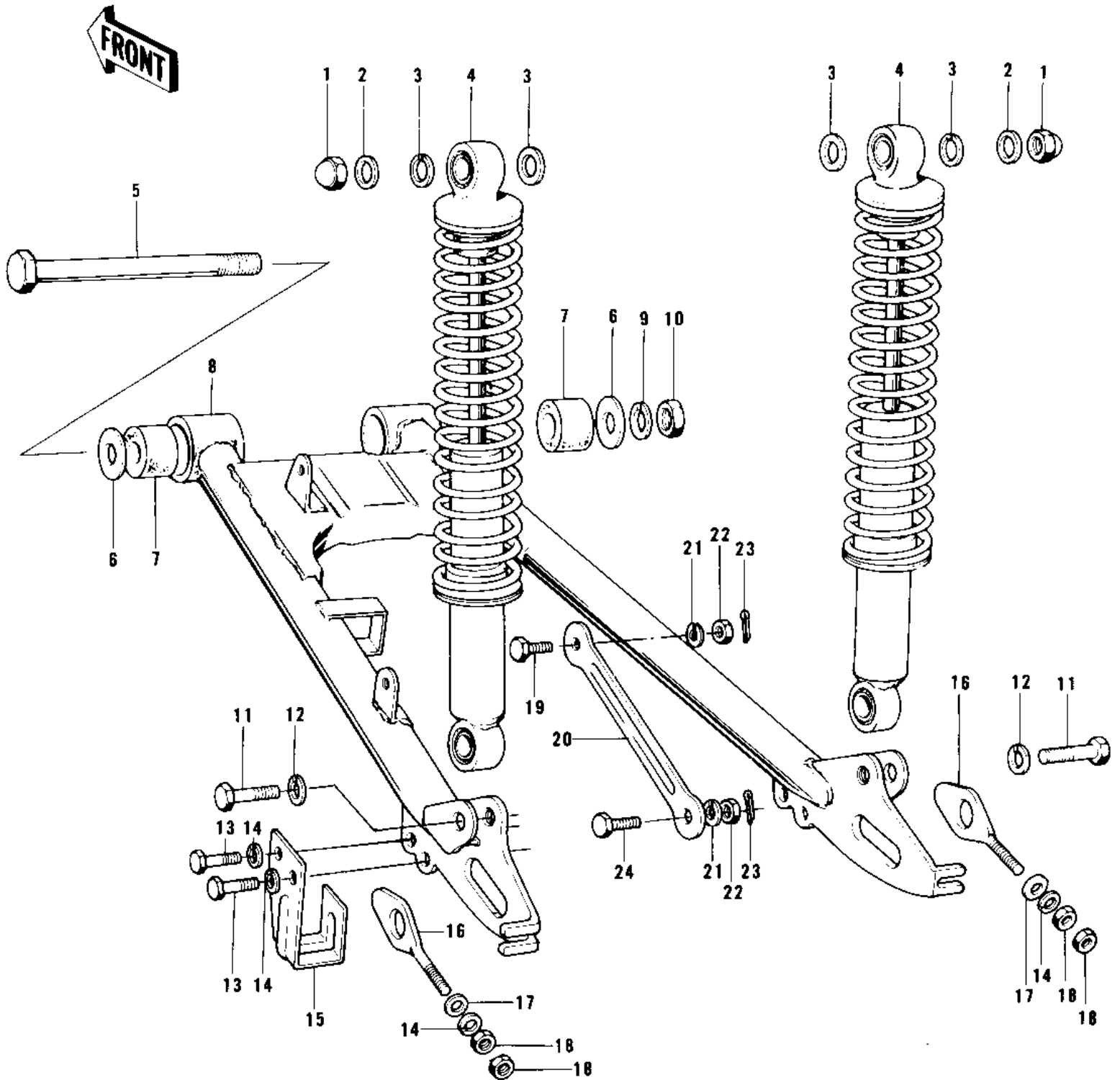


1976 KD100-M1 PARTS DIAGRAM

D-4-SWING ARM/SHOCK ABSORBERS



1976 KD100-M1 PARTS LIST

D-4-SWING ARM/SHOCK ABSORBERS

ITEM NAME	PART NUMBER	QUANTITY
NUT 12MM (Ref # 1)	92020-014	2
WASHER SPRING 12MM (Ref # 2)	461F1200	2
WASHER PLAIN 12MM (Ref # 3)	410B1200	4
SHOCK ABSBR RR (Ref # 4)	45014-100	2
SHOCK ABSBR RR (Ref # 4)	45014-1019	2
SHAFT,SWING ARM PIVOT (Ref # 5)	33032-043	1
WASHER PLAIN 12MM (Ref # 6)	410B1200	2
BUSH SWING ARM SHAFT (Ref # 7)	92092-005	2
ARM,SWINGING (Ref # 8)	33001-055	1
WASHER SPRING 12MM (Ref # 9)	461F1200	1
NUT-HEX-FINE (Ref # 10)	314B1200	1
BOLT HEX HEAD 10X28 (Ref # 11)	113N1028	2
WASHER SPRING 10MM (Ref # 12)	461F1000	2
BOLT-UPSET 6X14 (Ref # 13)	112B0614	2
WASHER SPRING 6MM (Ref # 14)	461F0600	4
GUARD,CHAIN (Ref # 15)	55020-012	1
ADJUSTER CHAIN (Ref # 16)	33040-008	2
WASHER PLAIN (Ref # 17)	92022-024	2
WASHER,6.5X16X2 (Ref # 17)	92022-1565	2
NUT 6MM (Ref # 18)	311B0600	4
BOLT TORQUE LINK FIT (Ref # 19)	92003-017	1
TORQUE LINK,RR BRAKE (Ref # 20)	43007-037	1
WASHER SPRING 10MM (Ref # 21)	461F1000	2
NUT,10MM (Ref # 22)	314B1000	2
PIN COTTER 2.0X15 (Ref # 23)	550D2015	2
BOLT HEX HEAD 10X25 (Ref # 24)	92003-003	1