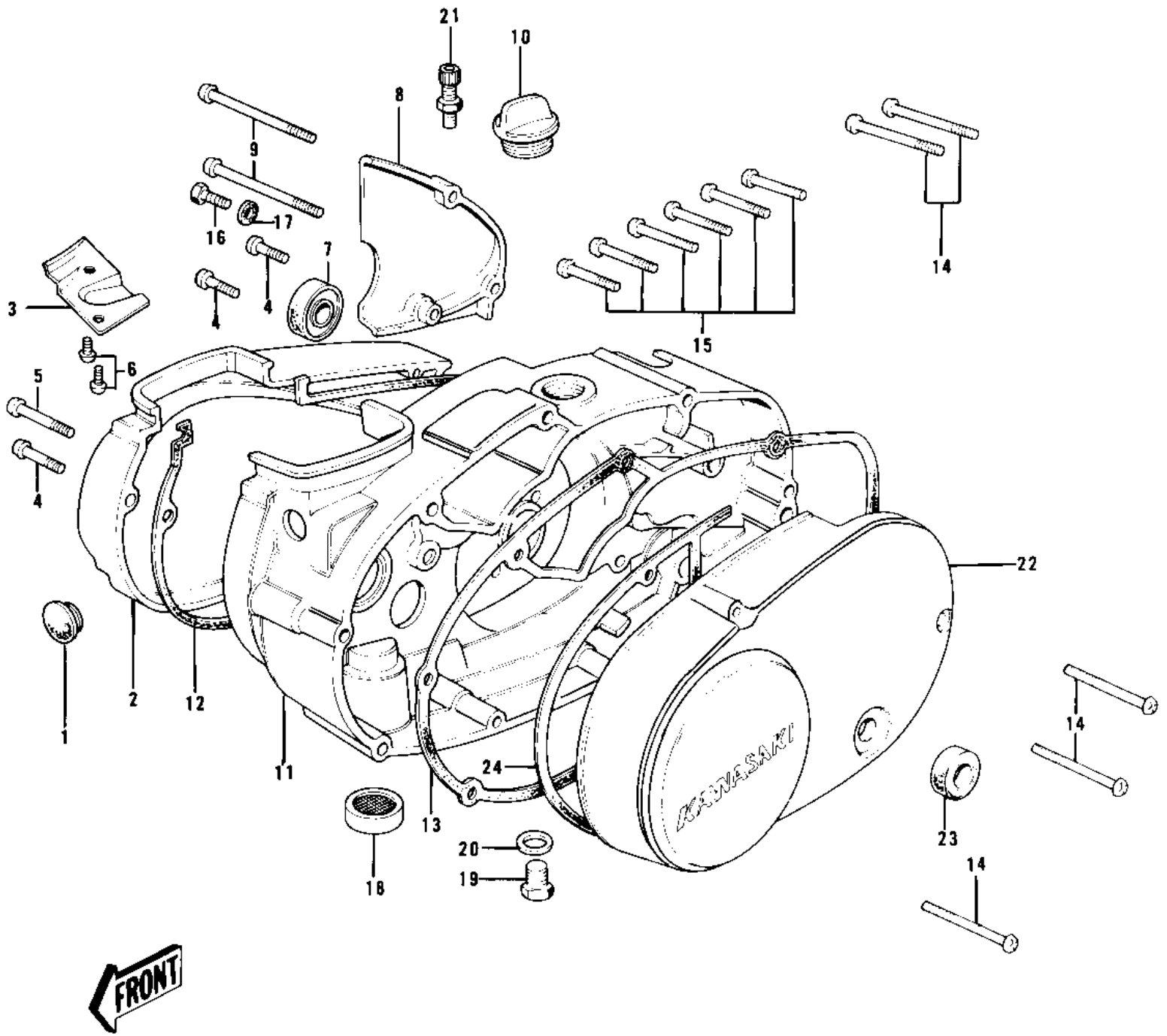


1978 KD100-M3 PARTS DIAGRAM

ENGINE COVERS



1978 KD100-M3 PARTS LIST

ENGINE COVERS

ITEM NAME	PART NUMBER	QUANTITY
CAP CARB MOUNT HOLE (Ref # 1)	14039-001	1
COVER,CARB BARREL (Ref # 2)	14030-1005	2
COVER,CLUTCH CABLE (Ref # 3)	14025-1137	1
SCREW PAN HEAD 6X20 (Ref # 4)	220B0620	1
SCREW PAN HEAD 6X35 (Ref # 5)	220B0635	1
SCREW PAN HEAD 6X12 (Ref # 6)	220B0612	1
OIL SEAL TB14257 (Ref # 7)	653B142507	1
COVER,OIL PUMP,BUFF (Ref # 8)	14030-050-80	1
SCREW PAN HEAD 6X75 (Ref # 9)	220B0675	1
FILLER,OIL (Ref # 10)	16115-018	1
COVER,R.H,ENG,BARREL (Ref # 11)	14032-1017	1
GASKET,CARBURETOR COV (Ref # 12)	11060-1201	1
GASKET,CLUTCH COVER (Ref # 13)	11060-1198	1
SCREW PAN HEAD 6X45 (Ref # 14)	220B0645	1
SCREW PAN HEAD 6X30 (Ref # 15)	220B0630	1
BOLT,HEX HEAD,6X14 (Ref # 16)	92001-121	1
WASHER OIL PUMP BANJO (Ref # 17)	92022-077	1
DRAIN,FUEL (Ref # 18)	16116-006	1
PLUG OIL DRAIN (Ref # 19)	92067-001	1
GASKET CHECK VALVE (Ref # 20)	92065-058	1
ADJUSTER,CABLE (Ref # 21)	16002-012	1
COVER,L.H ENG.BUFF (Ref # 22)	14031-078-80	1
COVER,L.H.ENGINE (Ref # 22)	14031-1029	1
OIL SEAL, VB12185 (Ref # 23)	656G121805	1
GASKET,GENERATOR COVE (Ref # 24)	11060-1202	1